



mm FD60 digital

Description

- Robust aluminium profile housing
- Customized versions for OEM
- Incremental/absolute encoder



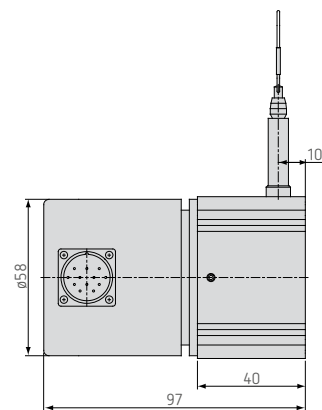
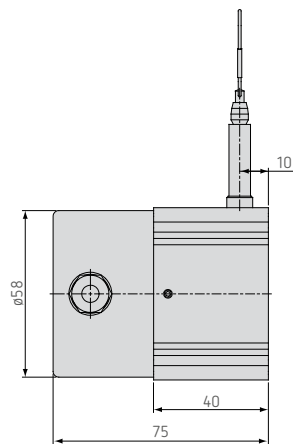
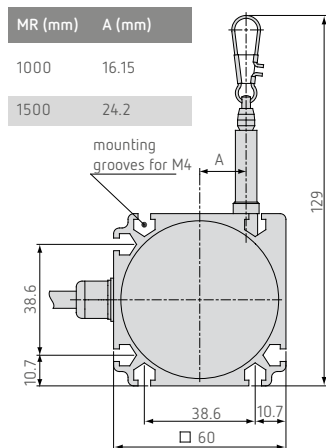
Draw wire sensors of the FD60 Series are designed for general use. Numerous options enable a suitable sensor to be selected for almost any application. Various measuring ranges and digital output types facilitate fast integration for many application areas.

Outline drawing

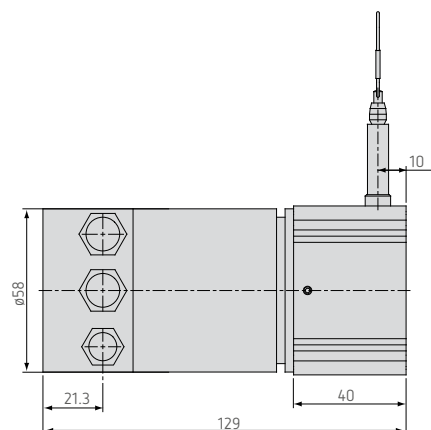
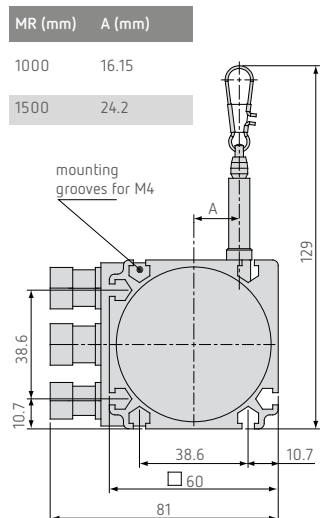
FD60

Output HTL/ TTL

Output SSI



FD60 Output CO/PB



Technical data

Model	FD60-1000	FD60-1500
Output	HTL/ TTL/ PB/ CO/ SSI	
Measuring range	1000mm	1500mm
Linearity	±0.02% FSO	±0.3mm
Resolution	HTL, TTL	0.067mm (15 Pulses/mm)
	SSI, PB, CO	0.024mm
Sensor element	incremental encoder	
Temperature range	-20 ... +80°C	
Material	housing	aluminium
	draw wire	coated polyamid stainless steel (ø 0.45mm)
Sensormontage	mounting grooves in the housing	
Wire mounting	wire clip	
Wire acceleration	10g	15g
Wire retraction force (min)	5N	3.5N
Wire extension force (max)	7.5N	5.5N
Protection class	IP 65 (only if connected)	
Mechanical shock	50g, 10ms	
Electrical connection	HTL/TTL	integrated cable, radial, 1m long
	SSI	flange connector, radial, 12-pin
	PB/CO	bus cover
Weight	appr. 1kg	

FSO = Full Scale Output

Ordering code

FD60 - 1000 - CR - TTL

Output option:
HTL
TTL
CO: CANopen
PB: Profibus DP
SSI

Connection:
SR (Output SSI): radial plug
CR (Output HTL, TTL): integrated cable, radial, 1m
BH (Output CO, PB): bus cover

Measuring range in mm

Model FD60