



mm FD115 digital

Description

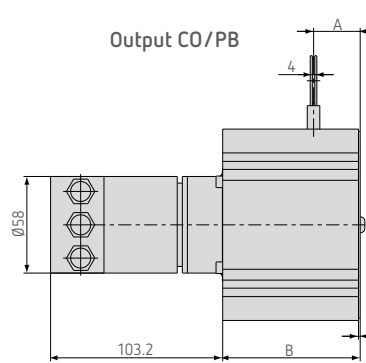
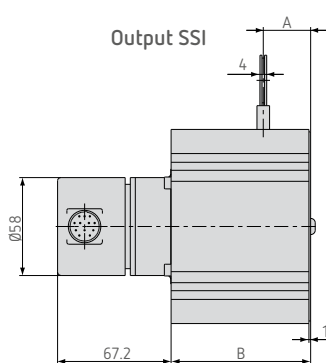
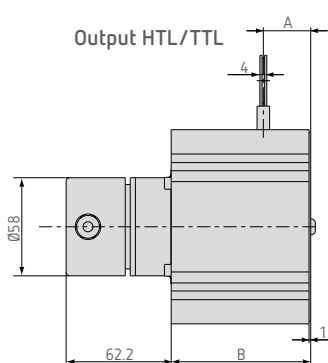
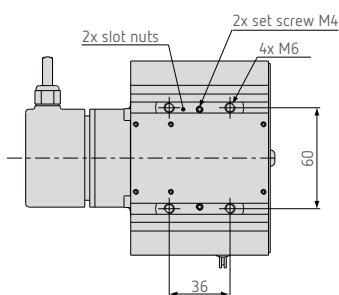
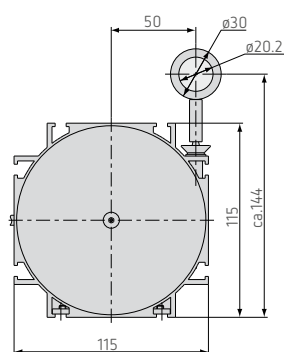
- Robust aluminium profile housing
- Customized versions for OEM
- Incremental/absolute encoder



Draw wire sensors of the FD115 Series are designed for general use. Numerous options enable a suitable sensor to be selected for almost any application. The digital version with absolute or incremental encoder makes many applications possible. The series has an attractive price/performance ratio based on state of the art technology.

Outline drawing

FD115



MR (mm)	A (mm)	B (mm)
5000	28	82.5
7500	37	105.5
10000	44.5	148.5
15000	61	180.5

Technical data

Model	FD115-5000	FD115-7500	FD115-10000	FD115-15000
Measuring range	5000mm	7500mm	10000mm	15000mm
Output	HTL/ TTL/ SSI/ PB/ CO			
Linearity	±0.01% FSO	-	-	±1mm
	±0.02% FSO	±1mm	±1.5mm	-
Resolution	HTL, TTL	0.105mm (9.52 Pulses/mm)		
	SSI, PB, CO	0.038mm		
Sensor element	incremental/ absolute encoder			
Temperature range	-20 ... +80°C			
Material	housing	aluminium		
	draw wire	coated polyamid stainless steel (ø 1.0mm)		
Sensor mounting	slot nuts			
Wire mounting	eyelet			
Wire acceleration	5g	6g	3g	3g
Wire retraction force (min)	4N	8N	8N	8N
Wire extension force (max)	16N	24N	21N	25N
Protection class	IP 65 (only if connected)			
Vibration	20g, 20Hz - 2kHz			
Mechanical shock	50g, 10ms			
Electrical connection	HTL/ TTL	integrated cable, radial, 1m long		
	SSI	flange connector, radial, 12-pin		
	PB/ CO	bus cover		
Weight	appr. 2kg	appr. 2.5kg	appr. 3.5kg	appr. 4.5kg

FSO = Full Scale Output

Ordering code

FD115 - 5000 - CR - TTL

Output option:

HTL
 TTL
 CO: CANopen
 PB: Profibus DP
 DP SSI

Connection:

SR (Output SSI): radial plug
 CR (Output HTL, TTL): integrated cable, radial, 1m
 BH (Output CO, PB): bus cover

Measuring range in mm

Model FD115

The information provided herein is to the best of our knowledge true and accurate, it is provided for guidance only. All specifications are subject to change without prior notification.

Althen – Your expert partner in Sensors & Controls | althensensors.com

Althen stands for pioneering measurement and custom sensor solutions. In addition we offer services such as calibration, design & engineering, training and renting of measurement equipment.

Germany/Austria/Switzerland
info@althen.de

Benelux
sales@althen.nl

France
info@althensensors.fr

Sweden
info@althensensors.se

USA/Canada
info@althensensors.com

Other countries
info@althensensors.com