



mm FDMK30 digital

Description

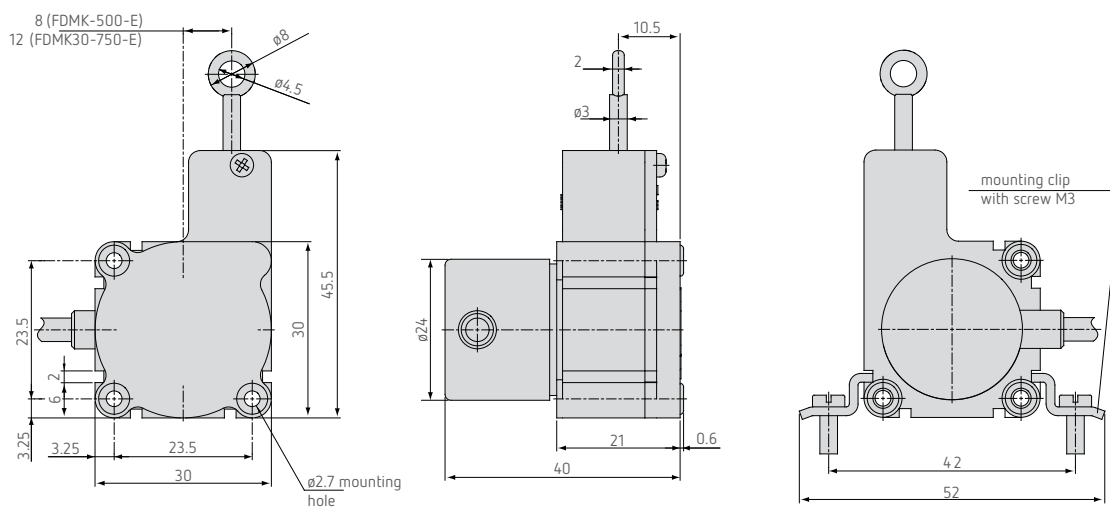
- Robust plastic housing
- Customized versions for OEM
- Smallest design in its class
- Incremental encoder



The miniature draw-wire sensors of the FDMK series are specially designed for use in high-volume production. Due to the favorable price and the compact size of the sensor, new potential designs and cost optimization are the benefits to the user.

Outline drawing

FDMK30



Technical data

Model	FDMK30-500	FDMK30-750
Output	E/E830	E/E830
Measuring range	500mm	750mm
Linearity E	±0.05% FSO	0.25mm
Resolution	10 Pulses/mm 0.1mm	6.7 Pulses/mm 0.15mm
Sensor element	Incremental encoder	
Temperature range	-20 ... +80°C	
Material	housing draw wire	plastic coated polyamid stainless steel (ø 0.36mm)
Wire mounting	eyelet	
Sensor mounting	mounting holes / mounting grooves	
Wire Acceleration	appr. 5g	
Wire retraction force (min)	appr. 1N	
Wire extension force (max)	appr. 2.5N	
Protection class	IP54	
Electrical connection	cable radial, 1m	
Weight	ca. 80g	

FSO = Full Scale Output

Technical data

