



mm FDMK46 digital

Description

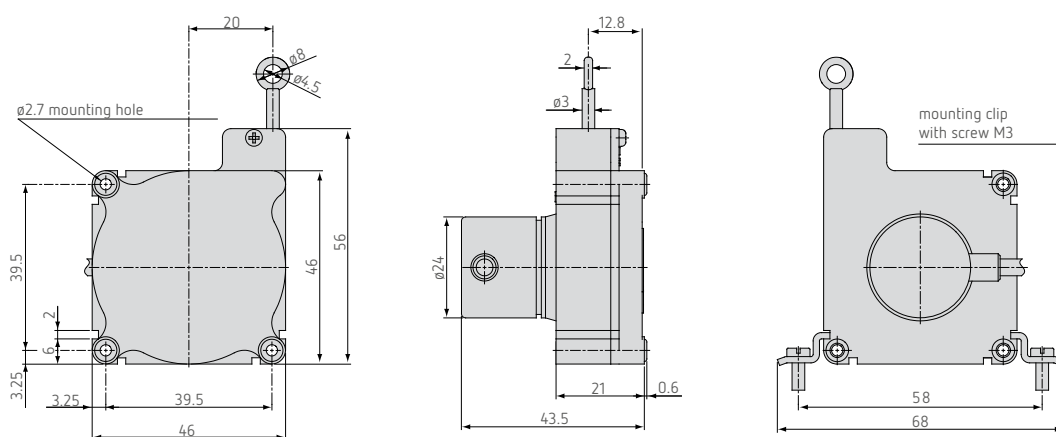
- Robust plastic housing
- Customized versions for OEM
- Incremental encoder



The miniature draw-wire sensors of the FDMK series are specially designed for use in high-volume production. Due to the favorable price and the compact size of the sensor, new potential designs and cost optimization are the benefits to the user.

Outline drawing

FDMK46



Technical data

Model		FDMK46-1250	
Output		E/E830	
Measuring range		1250mm	
Linearity	encoder	±0.05% FSO	0.625mm
Resolution		4 Pulses / mm 0.25mm	
Sensor element		incremental encoder	
Temperature range		-20 ... +80°C	
Material	housing	plastic	
	draw wire	coated polyamid stainless steel (ø 0.36mm)	
Wire mounting		eyelet	
Sensor mounting		mounting holes / mounting grooves	
Wire acceleration		appr. 5g	
Wire retraction force (min)		appr. 1N	
Wire extension force (max)		1.5N	
Protection class		IP54	
Electrical connection		cable radial, 1m	
Weight		appr. 120g	

FSO = Full Scale Output

Ordering code

FDMK46 - 1250 - E

Output option:
encoder E (5 ... 24VDC)
encoder E830 (8 ... 30VDC)

Measuring range in mm

FDMK46