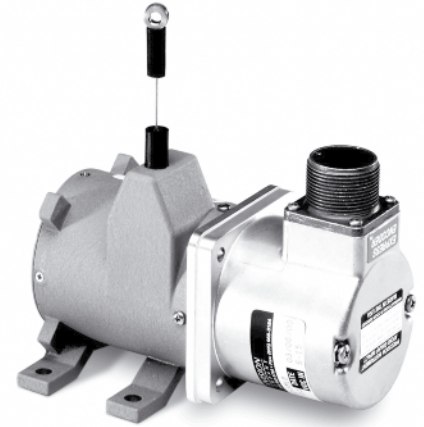




mm PT8600

Description

- Converts ANY Rotary Encoder to a Linear Position Sensor
- Linear Stroke Range up to 50 inches (1250 mm)
- Mates Virtually ANY Customer Supplied Encoder
- Factory Supplied Encoder Available



Our unique linear-to-rotational, industrial-grade string encoder module mates to virtually any encoder giving you a cost-effective linear position measurement solution that precisely fits your requirements. The PT8600 takes just minutes to install, fits easily into tight areas and does not require perfectly parallel alignment. To order, simply select the stroke range, the cable tension and the mounting style that matches your encoder.

If you want us to provide the encoder or you don't see the mounting style you need, please give us a call.

FULL STROKE RANGE OPTIONS

English Ranges	0-25, 0-50 in.
Metric Ranges	0-625, 0-1250 mm

MOTION CONVERSION RATIO

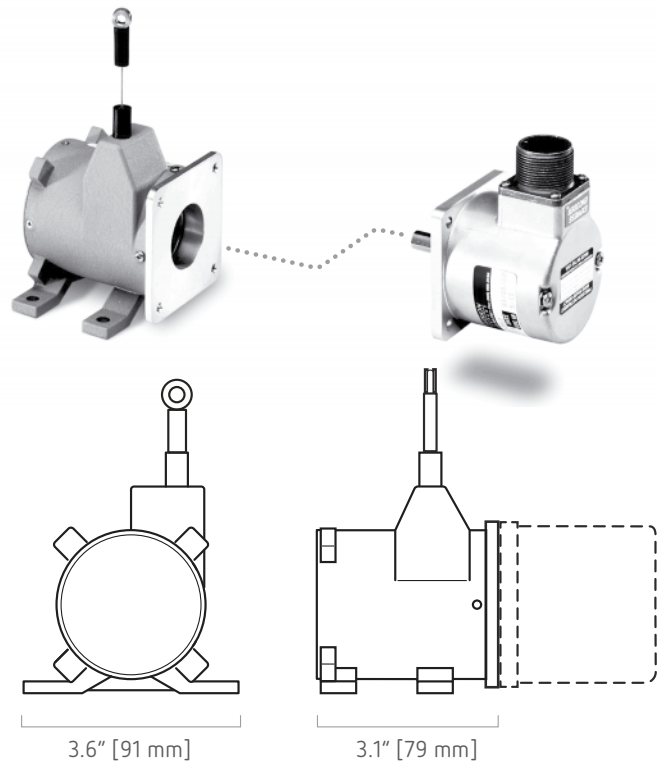
English Ranges	5 inches per turn, see ordering information
Metric Ranges	125 mm per turn, see ordering information

GENERAL

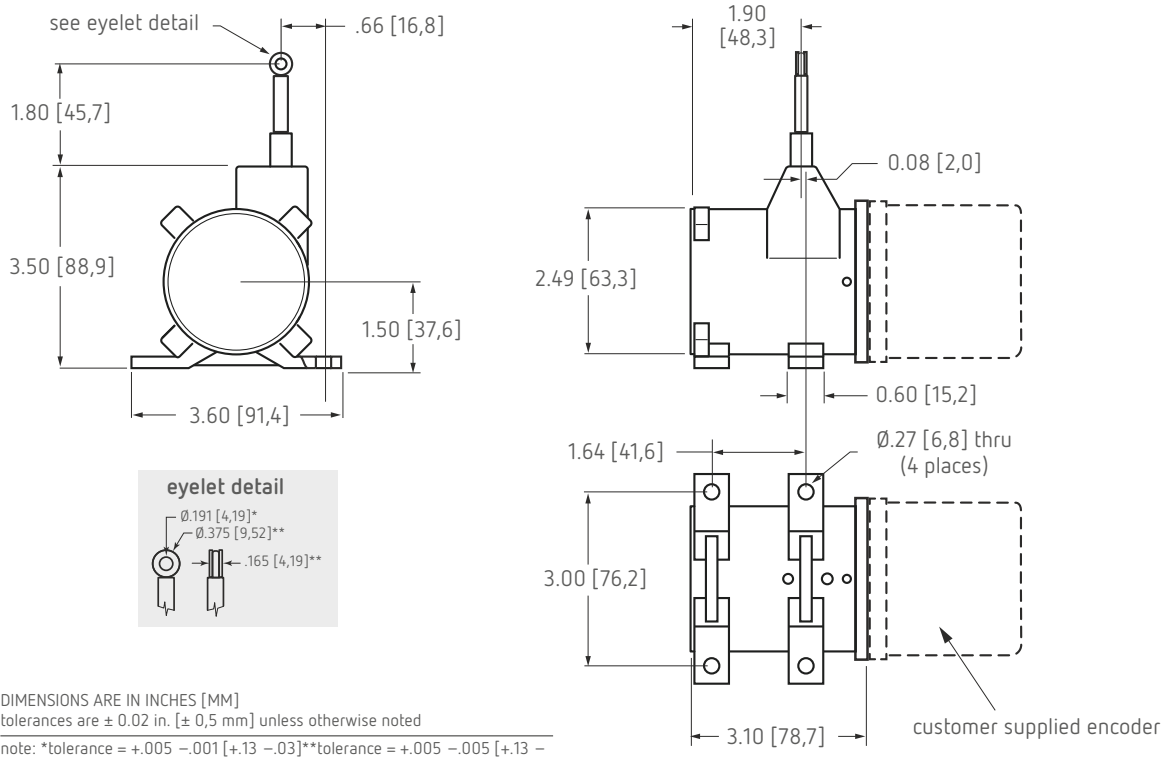
Accuracy	±0.04% full stroke, contact factory for better accuracy
Measuring Cable Options	see ordering information
Module Material	powder-painted aluminum
Maximum Allowable Rotational Sensor Torque	1.0 in.-lbs.
Weight	3 lbs. max.

ENVIRONMENTAL

Operating Temperature	-40° to 200°F (-40° to 90°C)
-----------------------	------------------------------



Outline Drawing



Ordering Information

Model Number

PT8600 - - - - - -

order code: **R** **A** **B** **1** **C** **D** **E**

Sample Model Number:

PT8600 - 0025 - 111 - BR - F01

- R** range: 25 inches
- A** measuring cable tension: standard (12 oz.)
- B** measuring cable: .034 nylon-coated stainless
- D** cable guide option: cable brush
- E** rotational sensor mounting style: F01 (2.5-in. sq. flange)

» Trying to reorder but can't find your existing model number? Please contact factory for help.

Full Stroke Range

R order code:	0025	0050	0625	1250
full stroke range, min:	25 in.	50 in.	625 mm	1250 mm

Measuring Cable Tension

A	1	2
	standard tension	high tension
625, 1250-mm ranges:	17 oz. [5 g max. acceleration] acceleration] 4,2 N [8 g max. acceleration]	50 oz. [15 g max. 13,9 N [30 g max. acceleration]

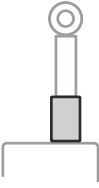
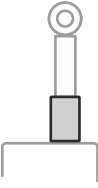
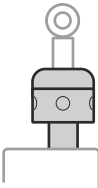
Measuring Cable

B order code:	1	2	4	
cable construction:	Ø.034-inch nylon-coated stainless steel rope	Ø.047-inch bare stainless steel rope	Ø.031-inch bare stainless steel rope	
available ranges:	all ranges	25 inch & 625 mm only	50 inch & 1250 mm only	
general use:	indoor	outdoor, debris, high temperature	outdoor, debris, high temperature	
conversion ratio {	english ranges:	1 turn = 5.000 ± 0.0094 in.	1 turn = 5.034 ± 0.0094 in.	1 turn = 4.990 ± 0.0094 in.
	metric ranges:	1 turn = 125,001 ± 0,2394 mm	1 turn = 125,879 ± 0,2394 mm	1 turn = 124,762 ± 0,2394 mm

01.2016 | version 20160602 - Rev 4

Ordering Information (cont.)

Cable Guide Options

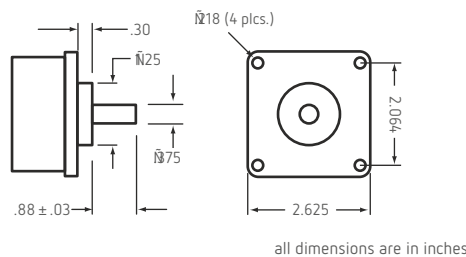
D order code:	blank	SS	BR
	standard cable guide	stainless steel cable guide	integral cable brush
			

Rotational Sensor Mounting Style

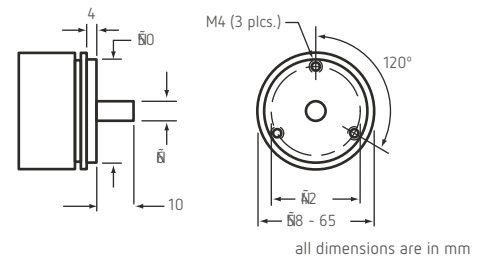
E order code:	F01	F02	S01	S02	S04
	2.5-in. Flange Mount 3/8-inch shaft	2-in. Flange Mount 3/8-inch shaft	Face-Mount 6 mm shaft M4 mounting screws	Face-Mount 10 mm shaft M4 mounting screws	Face-Mount 10 mm shaft M3 mounting screws

Note: If you don't see your encoder style, please contact factory. All encoder types supported.

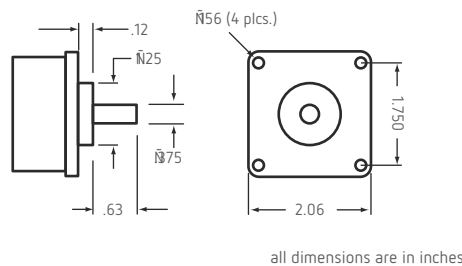
F01 - 2½ -inch Sq. Flange Mount (3/8-inch shaft)



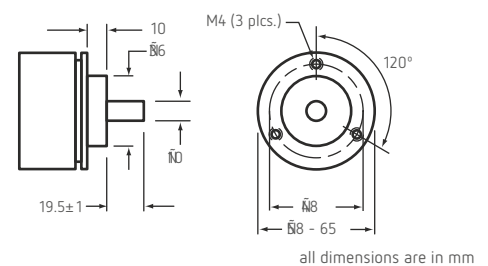
S01 - Face-Mount (6mm shaft/M4 screws)



F02 - 2-inch Sq. Flange Mount (3/8-inch shaft)



S02 - Face-Mount (10mm shaft/M4 screws)



S04 - Face-Mount (10mm shaft/M3 screws)

