



mm PT5DC

Description

- Absolute Linear Position to 250 inches (6350 mm)
- Hard Anodized Aluminum Enclosure
- High Cycle Applications
- IP67 · NEMA 6 Protection



The PT5DC cable-extension transducer uses a unique thermoplastic cable that has virtually an infinite fatigue life. This cable, known as V62, has properties that are superior for high cycle and rugged applications.

Like our other other transducers, the PT5DC installs in minutes, functions properly without perfectly parallel alignment, and fits easily into small areas. The PT5DC offers additional installation flexibility since its cable exit can be rotated relative to the mounting surface, providing four different cable exit orientations.

GENERAL

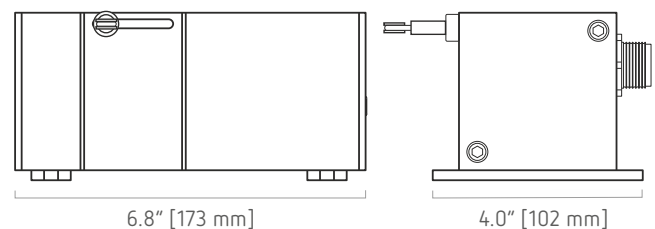
Full Stroke Range Options	0-10 to 0-250 inches
Output Signal Options	0...5, 0...10, -5...+5, -10...+10 VDC
Accuracy	± 0.75% to ±0.18% Full stroke (see ordering information)
Repeatability	see ordering information
Resolution	essentially infinite
Measuring Cable Options	stainless steel or thermoplastic
Enclosure Material	hard anodized aluminum
Sensor	plastic-hybrid precision potentiometer
Potentiometer Cycle Life	see ordering information
Maximum Measuring Cable Velocity	see ordering information
Maximum Retraction Acceleration	see ordering information
Weight	5 lbs. max.

ENVIRONMENTAL

Enclosure	NEMA 4/6, IP 65/67
Operating Temperature	-40° to 200°F (-40° to 90°C)
Vibration	up to 10 g to 2000 Hz maximum

EMC COMPLIANCE PER DIRECTIVE 89/336/EEC

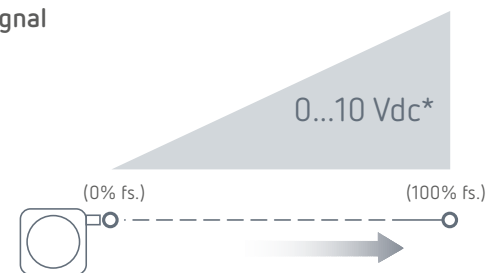
Emission/Immunity	EN50081-2 / EN50082-2
-------------------	-----------------------



ELECTRICAL

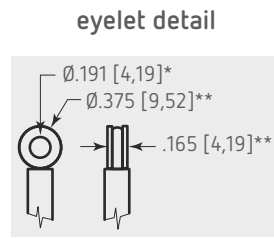
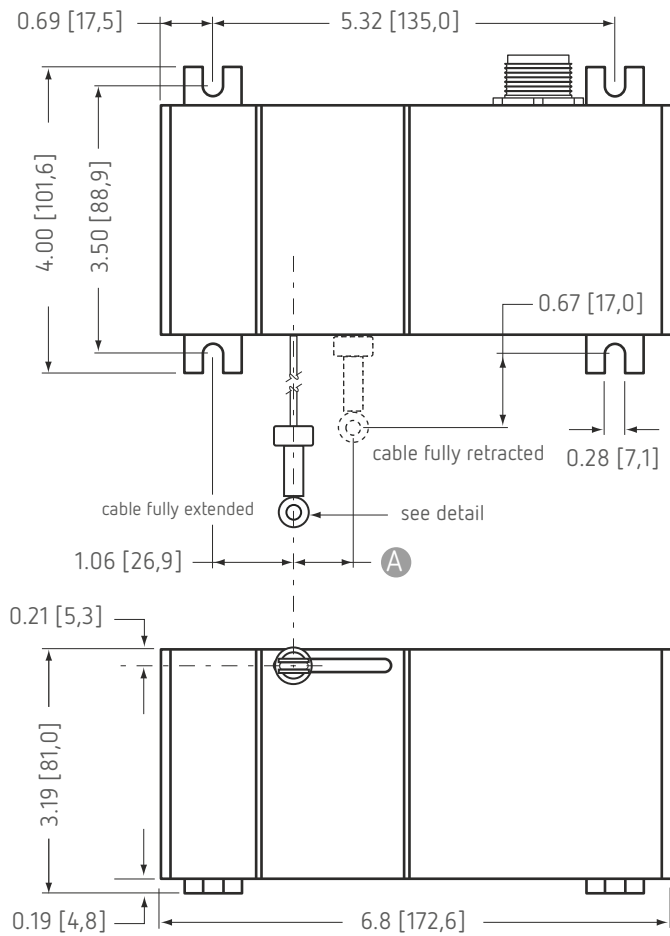
Input	14.5-40 VDC (10.5-40 VDC for 0...5 and -5...+5 volt output)
Input Current	10 mA maximum
Output Impedance	1000 ohms
Maximum Load	5000 ohms
Zero and Span Adjustment	see ordering information

Output signal



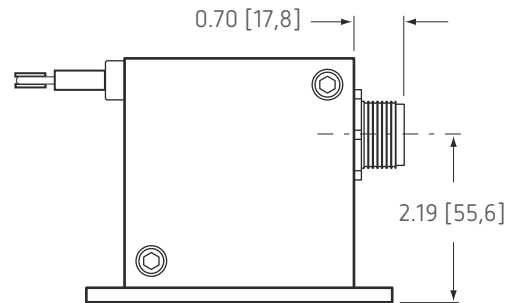
*Additional Output Options: 0...5, -5...+5, -10...+10 Vdc

Outline drawing



A DIMENSION (inches[mm])

RANGE	N34 measuring cable	S47 & V62 measuring cable
10	0.05 [1,2]	0.08 [2,0]
15	0.07 [1,8]	0.12 [3,0]
20	0.09 [2,4]	0.16 [3,9]
30	0.14 [3,5]	0.23 [5,9]
40	0.19 [4,7]	0.31 [7,9]
50	0.23 [5,9]	0.39 [9,9]
60	0.28 [7,0]	0.47 [11,8]
80	0.37 [9,4]	0.62 [15,8]
100	0.46 [11,7]	0.78 [19,7]
125	0.58 [14,7]	0.97 [24,7]
150	0.69 [17,6]	1.16 [29,6]
200	0.92 [23,5]	n/a
250	1.16 [29,3]	n/a



DIMENSIONS ARE IN INCHES [MM]
tolerances are 0.03 IN. [0.5 MM] unless otherwise noted.

* tolerance = +.005 - .001 [+.13 - .03]
** tolerance = +.005 - .005 [+.13 - .13]

Ordering Information

Model Number:

PT5DC - _____
order code: **R** **A** **B** **C** **D**

Sample Model Number:

PT5DC - 100 - N34 - FR - Z10 - M6

- R** range: 100 inches
- A** measuring cable: .034 nylon-coated stainless front
- B** cable exit: front
- C** output signal: 0...10 vdc
- D** electrical connection: 6-pin plastic connector

Full Stroke Range:

R order code:	10	15	20	25	30	40	50	60	80	100	125	150	200	250
full stroke range, min:	10 in.	15 in.	20 in.	25 in.	30 in.	40 in.	50 in.	60 in.	80 in.	100 in.	125 in.	150 in.	200 in.	250 in.
accuracy (± % of f.s.):	.75%	.6%	.5%	.5%	.5%	.3%	.3%	.25%	.25%	.25%	.25%	.18%	.18%	.18%
repeatability (± % of f.s.):	.1%	.1%	.05%	.05%	.05%	.05%	.05%	.02%	.02%	.02%	.02%	.02%	.02%	.02%
potentiometer cycle life:	2,500,000 cycles						500,000 cycles			250,000 cycles				
cable tension (20%):	41 ounces										21 ounces			
max. cable velocity/acceleration:	300 in./sec • 5 g										120 in./sec • 2 g			

Ordering Information (cont.)

Measuring Cable Exit:

A order code:	N34	S47	V62
	.034 nylon-coated stainless steel available in all ranges	.047 stainless steel all ranges up to 150 inches	.062 thermoplastic all ranges up to 150 inches

Cable Exit:

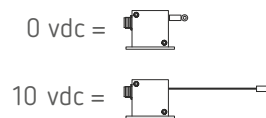
B order code:	UP	DN	FR	BK
	up	down	front	back
	inches [mm]			

Output Signals:

C order code:	Z10	10Z	Z5	5Z	M0P0	P0M0	M5P5	P5M5
output signal options:	0...10 VDC	10...0 VDC	0...5 VDC	5...0 VDC	-10...+10 VDC	+10...-10 VDC	-5...+5 VDC	+5...-5 VDC
input voltage: span	14.5 – 40 vdc		10.5 – 40 vdc		14.5 – 40 vdc		10.5 – 40 vdc	
adjustment: zero	to 50% of factory set span				to 75% of factory set span			
adjustment:	from factory set zero to 50% of full stroke range				from factory set zero to 25% of full stroke range			

example:

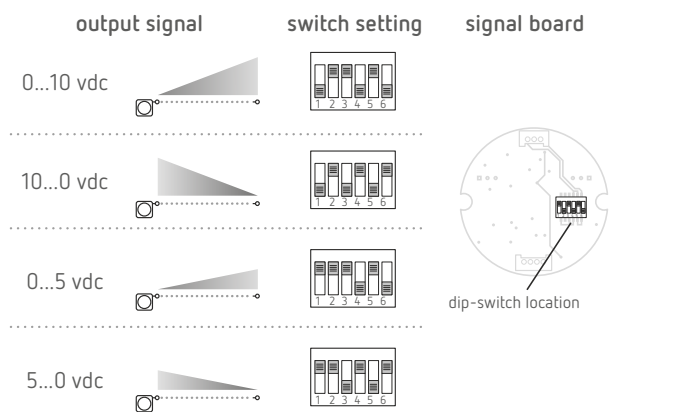
ordercode = Z10 = 0...10 VDC



Electrical Connection:

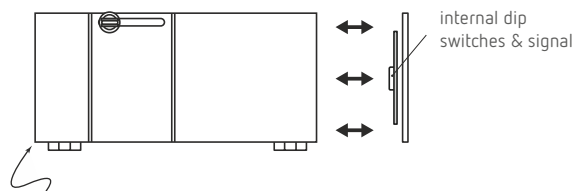
D order code:	M6	M6M	MC4	C25
	6-pin plastic connector with mating plug IP 67, NEMA 6	6-pin metal connector with mating plug IP 65, NEMA 4	4-pin micro-connector with 12 ft [3.5 M] cord set IP 67, NEMA 6	25-ft. instrumentation cable 24 AWG, shielded IP 67, NEMA 6
	.30 – .39 in. [8 – 10 mm] cable dia. 16 AWG max conductor size connector: MS3102E-14S-6P mating plug: MS3106E-14S-6S	.375 in. [9 mm] max cable dia. 16 AWG max conductor size connector: MS3102E-14S-6P mating plug: MS3106E-14S-6S	12 ft. x 5/16-in. dia. [3,5 M x 8 mm dia.] yellow PVC jacket shielded, 22 AWG	25 ft. x 0.2-in. dia. [7,5 M x 5 mm dia.] 24 AWG, shielded
	6-pin mating plug:	4-pin mating plug and cord set:	25-ft. cable:	
	pin signals A input voltage B output signal C common	pin color code signals 1 RED-BLK TR. input voltage 2 RED-WHT TR. output signal 3 RED common	color code standard RED input voltage BLACK common GREEN output signal	

■ Output Signal Selection (does not apply to -5...+5 & -10...+10 vdc options)



The output signal direction can be reversed at any time by simply changing the dip-switch settings found on the internal signal board. After the settings have been changed, adjustment of the Zero and Span trimpots will be required to precisely match signal values to the beginning and end points of the stroke.

To gain access to the signal board, remove four Allen-Head Screws and remove end cover bracket.



Caution! Do Not Remove Spring-Side End Cover
Removing spring-side end cover could cause spring to become unseated and permanently