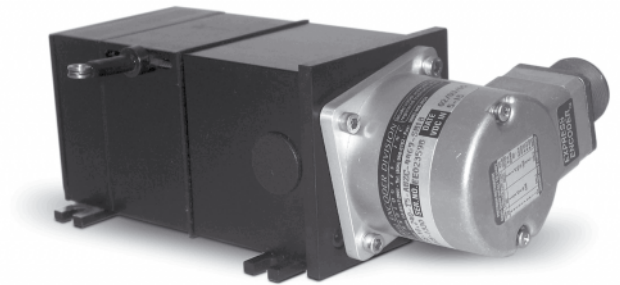




**mm** PT5600

**Description**

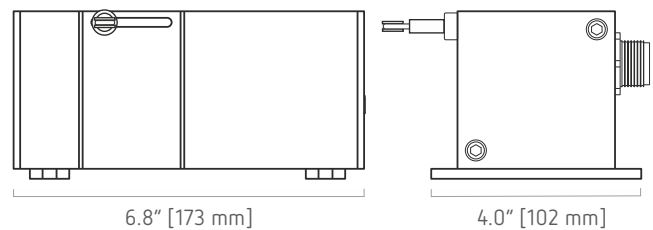
- Absolute Linear Position to 250 inches (6350 mm)
- Hard Anodized Aluminum Enclosure
- Mates To Virtually Any Encoder
- Available With or Without Encoder



Our unique linear-to-rotational, industrial-grade string encoder module mates to virtually any encoder, giving you a cost-effective linear position measurement solution that precisely fits your requirements. The PT5600 takes just minutes to install, fits easily into tight areas, does not require perfectly parallel alignment, and provides reliable and precise position measurements without needing periodic adjustments. For any high resolution or absolute encoder requirement, the PT5600 delivers the ultimate in flexibility. To order, simply select the measurement range and encoder mounting style—it's that easy! We even supply all the necessary encoder mounting tools and attaching hardware. If you can't find your encoder mounting style or you want us to provide the encoder, please give us a call.

**GENERAL**

Full Stroke Range Options	0-50 to 0-250 inches
Motion Conversion Ratio	8 inches per turn, see ordering information
Accuracy	the lesser of 0.02% full stroke or 0.04% of measurement range
Measuring Cable Options	stainless steel or thermoplastic
Module Material	hard anodized aluminum
Maximum Allowable Rotational Sensor Torque	1.0 in.-lbs.
Weight	5 lbs. max.



**ENVIRONMENTAL**

Operating Temperature	-40° to 200°F (-40° to 90°C)
-----------------------	------------------------------

**Ordering information**

**Model Number:**

PT5600 -      -      -      -      -       
order code:                      R                      A                      B                      C

Sample Model Number:

**PT5600 - 100 - N34 - FR - F01**

- R** range: 100 inches
- A** measuring cable: .034 nylon-coated stainless
- B** cable exit: front
- C** rotational sensor mounting style: F01 (2.5-in. sq. flange)

» Trying to reorder but can't find your existing model number? Please contact factory for help.

**Full Stroke Range:**

<b>R</b> order code:	50	100	150	200	250
full stroke range, min:	50 in.	100 in.	150 in.	200 in.	250 in.
cable tension (±20%):	41 ounces	41 ounces	41 ounces	21 ounces	21 ounces

Ordering Information (cont.)

Measuring Cable:

order code:	N34	S47	V62
cable construction:	Ø.034-inch nylon-coated stainless steel rope	Ø.047-inch bare stainless steel rope	Ø.058-inch PVC jacketed vectra fiber rope
available ranges:	all ranges	all ranges up to 150 inches	all ranges up to 150 inches
conversion ratio:	1 turn = 8.002 ± 0.022 inches	1 turn = 8.042 ± 0.022 inches	1 turn = 8.077 ± 0.022 inches

Cable Exit:

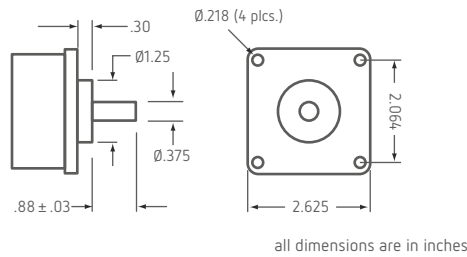
order code:	UP up	DN down	FR front	BK back
	inches [mm]			

Rotational Sensor Mounting Style:

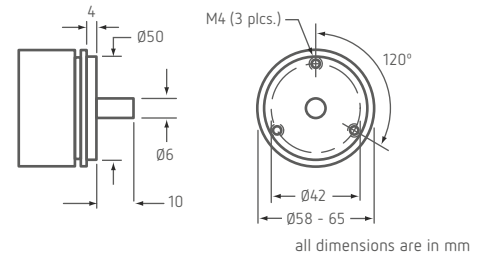
order code:	F01	F02	S01	S02	S04
	2.5-in. Flange Mount 3/8-inch shaft	2-in. Flange Mount 3/8-inch	Face-Mount 6 mm shaft M4 mounting	Face-Mount 10 mm shaft M4 mounting	Face-Mount 10 mm shaft M3 mounting

Note: If you don't see your encoder style, please contact factory. All encoder

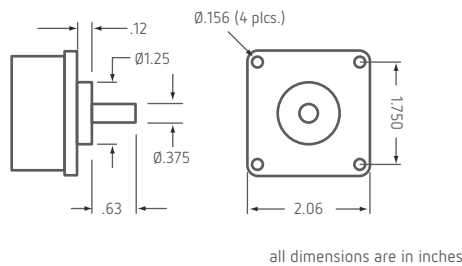
F01 - 2½ -inch Sq. Flange Mount (3/8-inch)



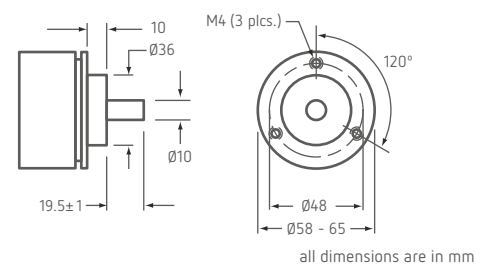
S01 - Face-Mount (6mm shaft/M4)



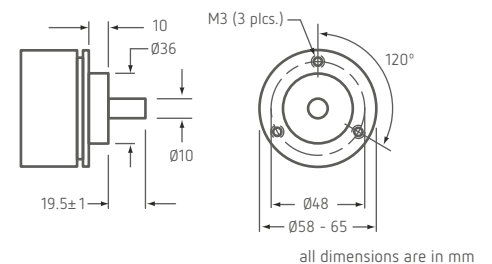
F02 - 2-inch Sq. Flange Mount (3/8-inch shaft)



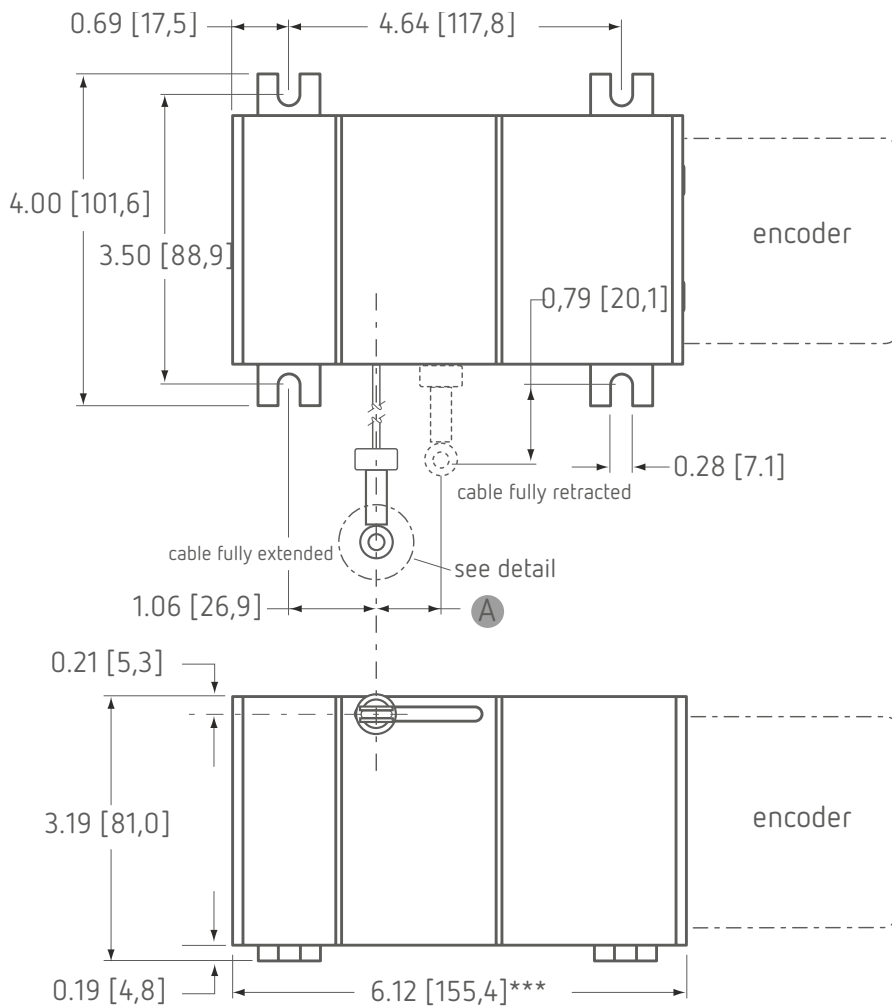
S02 - Face-Mount (10mm shaft/M4)



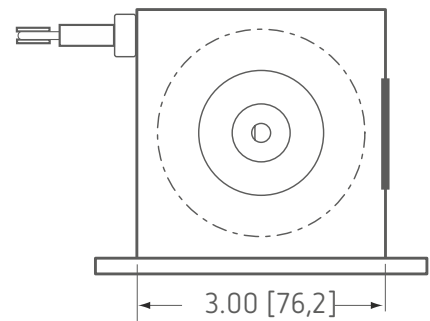
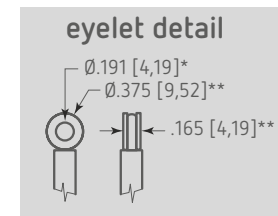
S04 - Face-Mount (10mm shaft/M3)



■ Outline Drawing:



stroke range	DIMENSION - INCHES [MM]	
	S47 · V62	N34
50	0.39 [9,9]	0.23 [5,9]
100	0.78 [19,7]	0.46 [11,7]
150	1.16 [29,6]	0.69 [17,6]
200	n/a	0.92 [23,5]
250	n/a	1.16 [29,3]



DIMENSIONS ARE IN INCHES [MM]

tolerances are  $\pm 0.02$  in. [ $\pm 0,5$  mm] unless otherwise noted

note: \*tolerance =  $+0.005 -0.001$  [ $+0.13 -0.03$ ] \*\*tolerance =  $+0.005 -0.005$  [ $+0.13 -0.13$ ]\*\*\*Overall dimension may vary depending on encoder configuratio