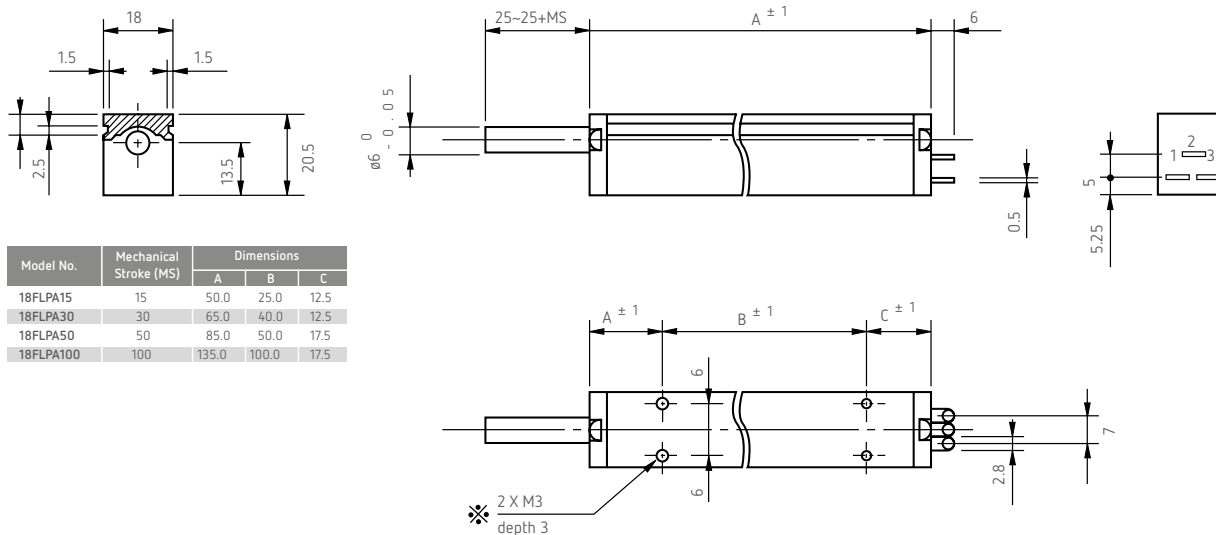




mm 18FLPA

Standard dimensions



Model No.	Mechanical Stroke (MS)	Dimensions		
		A	B	C
18FLPA15	15	50.0	25.0	12.5
18FLPA30	30	65.0	40.0	12.5
18FLPA50	50	85.0	50.0	17.5
18FLPA100	100	135.0	100.0	17.5

Note: \ast Please do not screw the mounting screws over 3mm, in order to prevent the damage of the inside resistive element.

Standard Model Nos.

18FLPA15	stroke	15mm
18FLPA30	stroke	30mm
18FLPA50	stroke	50mm
18FLPA100	stroke	100mm



Model 18FLPA50

General Specifications

Model No.	18FLPA15	18FLPA30	18FLPA50	18FLPA100
Standard Resistance Values	500,1k,2k,5k,10k (Ω)	500,1k,2k,5k,10k (Ω)	500,1k,2k,5k,10k (Ω)	1k,2k,5k,10k,20k (Ω)
Total Resistance Tolerance	$\pm 10\%$ (K)			
Independent Linearity	Standard Class $\pm 0.7\%$		$\pm 0.4\%$	$\pm 0.3\%$
Tolerance	Precision Class $\pm 0.5\%$		$\pm 0.25\%$	$\pm 0.2\%$
Resolution	Essentially Infinite			
Output Smoothness	Within 0.1% against input voltage			
Contact Resistance Variation	Within 2% C.R.V.			
Power Rating	0.3W	0.6W	0.75W	1.25W
Electrical Stroke	15 ± 0.5 mm	30 ± 0.5 mm	50 ± 0.5 mm	100 ± 0.5 mm
Mechanical Stroke (MS)	$15 +_0$ mm	$30 +_0$ mm	$50 +_0$ mm	$100 +_0$ mm
Insulation Resistance	Over 1,000M Ω at 1,000V.D.C.			
Dielectric Strength	1 minute at 1,000 V.A.C.			
Friction	Within 0.3N (30gf)		Within 1N (100gf)	
Stopper Strength	Approx. 90N (9kgf)			
Resistance Temperature Coefficient	± 400 p.p.m./ $^{\circ}$ C			
Mass	Approx. 60g	Approx. 70g	Approx. 100g	Approx. 140g

■ Special Specifications available

Stroke 150mm (S18FLPA150), stroke 200mm (S18FLPA200), sealed type (IP54, the length of "A" is extended by abt. 6 mm), with spring return device (up to 100mm stroke. Friction is 3N [300gf]. Spring return device is mounted on the outer shaft and the shaft is extended by some extent depending on the models. For details please ask us), special machining on the shaft.

The information provided herein is to the best of our knowledge true and accurate, it is provided for guidance only. All specifications are subject to change without prior notification.

Althen – Your expert partner in Sensors & Controls | althensensors.com

Althen stands for pioneering measurement and custom sensor solutions. In addition we offer services such as calibration, design & engineering, training and renting of measurement equipment.

Germany/Austria/Switzerland
info@althen.de

Benelux
sales@althen.nl

France
info@althensensors.fr

Sweden
info@althensensors.se

USA/Canada
info@althensensors.com

Other countries
info@althensensors.com