



N FTZA Shear Beam Loadcell



Description

- Capacity from 500 kg to 10000 kg
- 17-4 PH stainless steel
- combined error = $\pm 0.0200\%$ (0.0170% c4)
- protection class IP68



Technical data

CAPACITY	kg	ACCURACY CLASS		IECEx	Ex	EAC	NET WEIGHT OF LOAD CELL (kg)	CODE
		C3	C4					
500		-	•	•	•		2.1	FTZA500
1000		-	•	•	•		2.1	FTZA1000
2000		-	•	•	•		2.1	FTZA2000
5000		•	-	•	•		4.2	FTZA5000
7500		•	-	•	•		4.2	FTZA7500
10000		•	-	•	•		4.2	FTZA10000

ON REQUEST

Certifications

OIML R60 C3 / C4

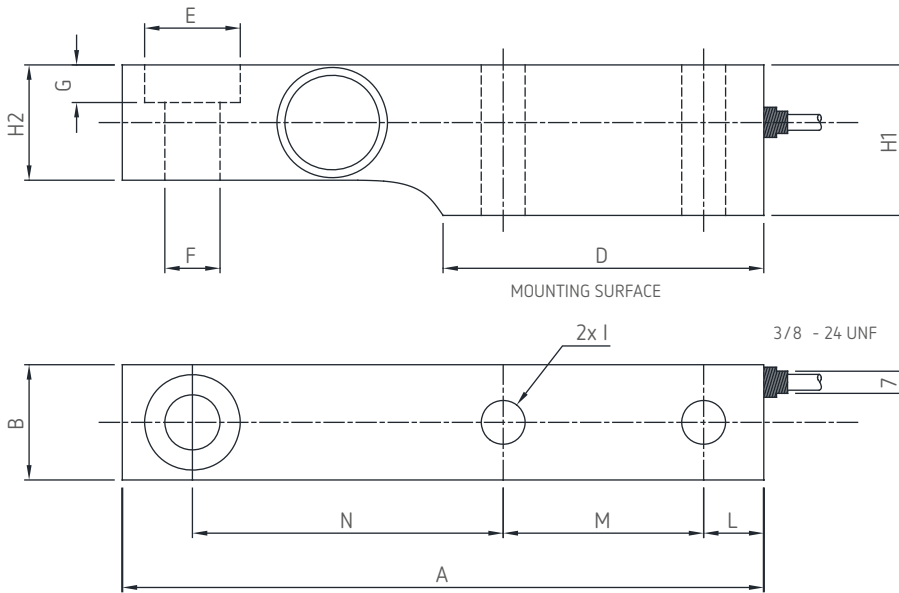
CERTIFICATIONS ON REQUEST

ATEX II 1GD (zone 0-1-2-20-21-22)

IECEx (zone 0-1-2-20-21-22)

Complies with the Eurasian Custom Union regulations (Russia, Belarus, Kazakhstan)

DIMENSIONS (mm)



	500 kg 1000 kg 2000 kg	5000 kg 7500 kg	10000 kg
A	203.2	235	235
B	36.48	47.5	55
D	101.6	111.2	111.2
E	∅30.3	∅41.3	∅41.3
F	∅17.5	∅25.5	∅25.5
G	11.9	15.75	15.75
H1	47.63	69.9	69.9
H2	36.5	47.6	58.6
I	∅14	∅22	∅25
L	19.05	20.6	20.6
M	63.5	66.7	66.7
N	98.45	123.8	123.8

Technical features

Material	17-4 PH stainless steel		
OIML R60 Accuracy class · Verification intervals	C3 · 3000		C4 · 4000
Nominal load (E max)	500 - 750 - 10000 kg		500 - 1000 - 2000 kg
Minimum verification interval (V min)	E max / 10000		E max / 15000
Combined error	≤±0.02%		≤±0.017%
Protection class	IP68		
Rated output	2 mV/V ±0.2%	Input resistance	350 Ω ±3.5
Temperature effect on zero	0.0018% °C	Output resistance	350 Ω ±3.5
Temperature effect on span	0.0014% °C	Zero balance	<±1%
Compensated temperature range	-10 °C / +40 °C	Insulation resistance	≥5000 MΩ
Operating temperature range	-35 °C / +65 °C	Safe overload (% of full scale)	150%
Creep at nominal load in 30 minutes	0.02%	Ultimate overload (% of full scale)	300%
Max supply voltage without damage	18 V	Deflection at nominal load	0.4 mm

Calibrated current output

Electrical connections

Cable length	5 m (500-7500 kg); 10 m (10000 kg)
Cable diameter	5 mm
Cores	4 x 0.20 mm ²

