

**9** ASC 61C1  
Piezoresistive Accelerometer



**SPECIFICATIONS**

- Uniaxial
- Wheatstone Bridge
- mV Output
- Aluminium Housing
- Made in Germany

**FEATURES**

- Range: 500g, 1000g and 2000g
- Small Size
- Light Weight
- DC Response
- ±5000g Shock Resistance
- Gas Damped
- 3-10Vdc Excitation

**OPTIONS**

- Customised Cable Length
- Customised Connector
- TEDS Module
- Equipment Exchange (EQX)

**APPLICATIONS**

- Automotive Crash Testing
- Shock Testing

**PIEZORESISTIVE MEMS TECHNOLOGY**

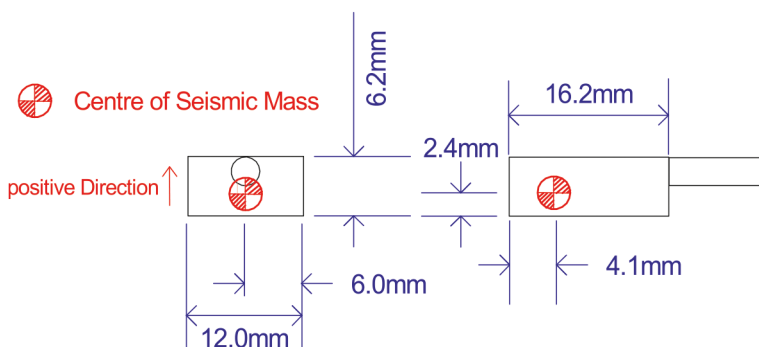
The accelerometers are based on an advanced piezoresistive MEMS technology and can be used in a low frequency response up from 0Hz. The piezoresistive sensor element is made of monolithic resistors. These resistors are attached to carrier-elements and are electrically connected in a Wheatstone bridge. The electrical signal changes proportional to the vibration.

**DESCRIPTION**

The model ASC 61C1 is an uniaxial accelerometer based on piezoresistive technology and factory calibrated. The ASC 61C1 is a small and compact accelerometer. Its housing is a flat design and hard anodised aluminium. Due to its low mass this model is ideal for testing light weight structures.

The sensing element has integrated overload stops and therefore the silicon chip is highly shock resistant. The ASC 61C1 has an excellent non-linearity over a wide frequency response. Electrically it is configured as a Wheatstone Bridge.

The ASC 61C1 can be obtained with all common sensor ID modules. A very high flexible and rugged cable provides a simple mounting. The ASC 61C1 is equipped as standard with 6 meter of this cable. The four wire output can be connected to all data management systems.





**TYPICAL SPECIFICATIONS**

**MODEL NUMBER ASC 61C1**

Type: MEMS Piezoresistive Accelerometer

**DYNAMIC**

		Range ( $\pm$ g)		
		500	1000	2000
Model		61C1	61C1	61C1
Sensitivity <sup>1</sup>	mV/g	0.4	0.15	0.13
Frequency response: $\pm$ 5%	Hz		2500	
Resonance frequency	kHz	15	15	26
Amplitude non-linearity	% FSO		$\pm$ 1	
Damping ratio			0.7	
Transverse sensitivity	%		<3	
Shock limit	$\pm$ g		5000	
Recovery time	s		0.5	

<sup>1</sup>Output is ratiometric to excitation voltage

**ELECTRICAL**

Excitation voltage	V DC		3 to 10
Zero acceleration output	mV		$\pm$ 25
Insulation resistance	M $\Omega$		>100
Isolation			Case isolated

**ENVIRONMENTAL**

Temperature coefficient of bias (Thermal zero shift)	g/ $^{\circ}$ C	$\pm$ 0.25	$\pm$ 0.5	$\pm$ 1
Temperature coefficient of sensitivity (Thermal sensitivity shift)	%/ $^{\circ}$ C		-0.2	
Operating temperature range	$^{\circ}$ C		-20 to +80	
Storage temperature range	$^{\circ}$ C		-25 to +100	
Humidity / Sealing			Epoxy sealed	

**PHYSICAL**

Sensing element		Piezoresistive MEMS		
Case material		Anodized Aluminium		
Mounting		3 mm screws / Adhesive		
Weight (without cable)	gram	3		
Cable		12 gram/meter; AWG 30, Polyurethane (PUR); Diameter: 3mm		



**TYPICAL SPECIFICATIONS**

**FACTORY CALIBRATION (SUPPLIED WITH THE SENSOR)**

Shaker Calibration (Sinusoidal)			
Range	500g	1000g	2000g
Sensitivity	at 80Hz and 20g		
Frequency Response	40Hz to 2500Hz		
Pendulum (Shock) Calibration			
Range	500g	1000g	2000g
Sensitivity	5 shocks at 100g		

**CALIBRATION DIN ISO 17025 (ORDER SEPARATELY)\***

Shaker Calibration (Sinusoidal)			
Range	500g	1000g	2000g
Sensitivity	at 80Hz and 20g		
Frequency Response	25Hz to 3150Hz		
Pendulum (Shock) Calibration			
Range	500g	1000g	2000g
Linearity	One shock each at 50g, 100g, 150g, 200g and 250g		

**CABLE CODE / PIN CONFIGURATION**

<i>Red: Supply +</i>	<i>Green: Signal +</i>
<i>Black: Supply -</i>	<i>White: Signal -</i>

**ORDERING INFORMATION**

ASC	61C1	500	6	A
	Model number	Range (Ex. 500 is 500g)	Cable length (meters)	Connector & Pinout
				A: no connector

Example: ASC 61C1-500-6A