



N CTL S-beam Loadcell



Description

- 17-4 ph stainless steel
- Combined error $\leq \pm 0.02\%$
- Protection class IP68

CAPACITY	ACCURACY CLASS	IECEx	Ex	EAC	NET WEIGHT OF LOAD CELL (kg)	CODE
100	-	•	•	•	0.7	CTL100
200	-	•	•	•	0.7	CTL200
300	-	•	•	•	0.7	CTL300
500	•	•	•	•	1.4	CTL500
1000	•	•	•	•	1.4	CTL1000
2500	•	•	•	•	1.4	CTL2500
5000	•	•	•	•	2.6	CTL5000
7500	•	•	•	•	2.7	CTL7500
10000	•	•	•	•	3.7	CTL10000
12500	•	•	•	•	4.8	CTL12500

ON REQUEST

Certifications

OIML R60 C3

Declaration of conformity + IP69K marking protection rating

Calibration report (ACCREDIA LAT traceability)

ATEX II 1GD (zone 0-1-2-20-21-22)

IECEx (zone 0-1-2-20-21-22)

Complies with the Eurasian Custom Union regulations (Russia, Belarus, Kazakhstan)

Complementary accessories

DESCRIPTION	CODE
-------------	------



Two redundant strain gauges Wheatstone bridges (350 Ω) with two output cables; for dual safety systems

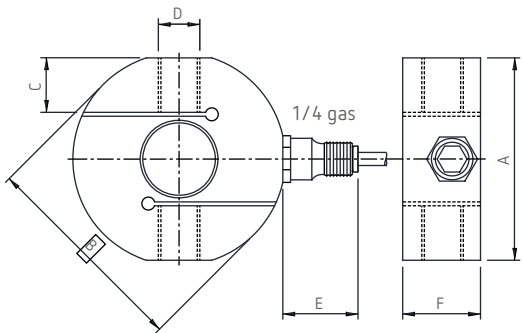
Complementary accessories



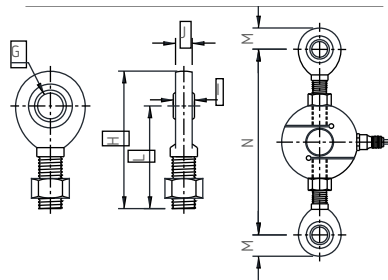
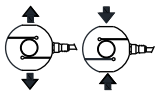
Special steel ball-and-socket joint with nut.

Dimensions:	Load cell capacity:	
M12x1.75	100-300 kg	EM12DADO
M16x2	500-1000 kg	EM16DADO
M20x1.5	2500 kg	EM20DADO
M24x2	5000-7500 kg	EM25DADO
M30x2	10000 kg	EM30DADO
M36x3	12500 kg	EM35DADO

Dimensions (mm)



Overall dimensions with ball-and-socket joints

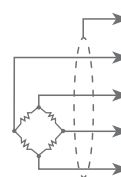
	100 kg 200 kg 300 kg	500 kg 1000 kg	2500 kg	5000 kg 7500 kg	10000 kg	12500 kg
A	60	78	78	90	103	120
B	63	82	82	102	114	129
C	14.5	21	21	24	30.5	37
D	M12x1.75	M16x2	M20x1.5	M24x2	M30x2	M36x3
E	29	29	29	29	29	29
F	22	30	30	45	50	55
G	Ø12	Ø17	Ø20	Ø25	Ø30	Ø35
H	71	92	104.5	126	146.5	181
I	10	14	16	20	22	25
J	8.5	11.5	13.5	17.5	19.5	21.5
L	54.5	69.5	77.5	94.5	110	140
M	16.5	22.5	27	31.5	36.5	41
N(=)	143	175	190	235	260	324

Technical features

Material	17-4 PH stainless steel		
OIML R60 Accuracy class · Verification intervals	-		C3 · 3000
Nominal load (E max)	100 - 200 - 300 kg	500 - 1000 - 2500 - 5000 kg 7500 - 10000 - 12500 kg	
Minimum verification interval (V min)	E max / 10000		
Combined error	≤±0.02%		
Protection class	IP68		
Rated output	2 mV/V ±0.1%	Input resistance	350 Ω ±5
Temperature effect on zero	0.005% °C	Output resistance	350 Ω ±2
Temperature effect on span	0.003% °C	Zero balance	±1%
Compensated temperature range	-10 °C / +50 °C	Insulation resistance	≥5000 MΩ
Operating temperature range	-20 °C / +70 °C	Safe overload (% of full scale)	150%
Creep at nominal load in 30 minutes	0.05%	Ultimate overload (% of full scale)	300%
Max supply voltage without damage	15 V	Deflection at nominal load	0.3 mm

Electrical connections

Cable length	10 m
Cable diameter	5 mm
Cores	4 x 0.25 mm ² / 6 x 0.14 mm ²



SHIELD	
+ SIGNAL	GREEN
+ EXCITATION	RED
+ REF./SENSE	BLUE
- SIGNAL	WHITE
- EXCITATION	BLACK
- REF./SENSE	BROWN
■ where provided	

Page 2 / 2

The information provided herein is to the best of our knowledge true and accurate, it is provided for guidance only. All specifications are subject to change without prior notification.

Althen – Your expert partner in Sensors & Controls | althensensors.com

Althen stands for pioneering measurement and custom sensor solutions. In addition we offer services such as calibration, design & engineering, training and renting of measurement equipment.

Germany / Austria / Switzerland
info@althen.de

Benelux
sales@althen.nl

France
info@althensensors.fr

Sweden
info@althensensors.se

USA / Canada
info@althensensors.com

Other countries
info@althensensors.com