



m/s² **793 SERIES**
General purpose accelerometer

SPECIFICATIONS

Sensitivity, ±5%, 25°C		100 mV/g
Acceleration range, VDC > 25 V		80 g peak
Amplitude nonlinearity		1%
Frequency response:	±5%	1.5 - 5,000 Hz
	±10%	1.0 - 7,000 Hz
	±3 dB	0.5 - 15,000 Hz
Resonance frequency		25 kHz
Transverse sensitivity, max		5% of axial
Temperature response:	-50°C	-15%
	+120°C	+20%
Power requirement:		
Voltage source		18 - 30 VDC
Current regulating diode		2 - 10 mA
Electrical noise, equiv. g:		
Broadband	2.5 Hz to 25 kHz	600 µg
Spectral	10 Hz	8 µg/√Hz
	100 Hz	5 µg/√Hz
	1,000 Hz	5 µg/√Hz
Output impedance, max		100 Ω
Bias output voltage		12 VDC
Grounding		case isolated, internally shielded
Temperature range		-50° to +120°C
Vibration limit		500 g peak
Shock limit		5,000 g
Sealing		hermetic
Base strain sensitivity, max		0.0005 g/µstrain
Sensing element design		PZT, compression
Weight		112 grams
Case material		316L stainless steel
Mounting		1/4-28 tapped hole
Output connector		2 pin, MIL-C-5015 style
Mating connector		R6 type
Recommended cabling		J10 / J9T2A

Accessories supplied: SF6 mounting stud (metric mounting available); calibration data (level 3)

Certifications

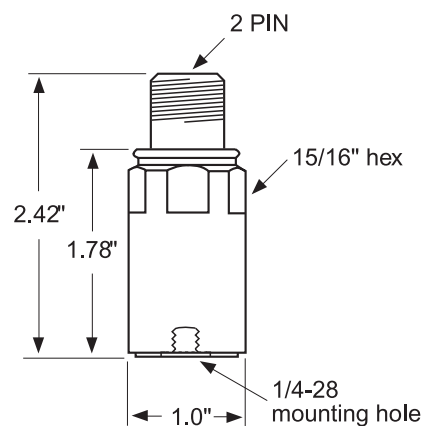
All 793 models	793E
	Class I, II, III, T4 Div 1 Groups A, B, C, D, E, F, G Div 2 Groups A, B, C, D, F, G

Note: Due to continuous process improvement, specifications are subject to change without notice. This document is cleared for public release.



Key features

- Hazardous area certified versions available (model 793E, 793-33, 793-35)
- Radiation resistant version available (model 793R)
- Manufactured in ISO 9001 facility



Connections	
Function	Connector pin
power/signal	A
common	B
ground	shell

The information provided herein is to the best of our knowledge true and accurate, it is provided for guidance only. All specifications are subject to change without prior notification.

Althen – Your expert partner in Sensors & Controls | althensensors.com

Althen stands for pioneering measurement and custom sensor solutions. In addition we offer services such as calibration, design & engineering, training and renting of measurement equipment.

Germany/Austria/Switzerland
info@althen.de

Benelux
sales@althen.nl

France
info@althensensors.fr

Sweden
info@althensensors.se

USA/Canada
info@althensensors.com

Other countries
info@althensensors.com