



α PRI80H

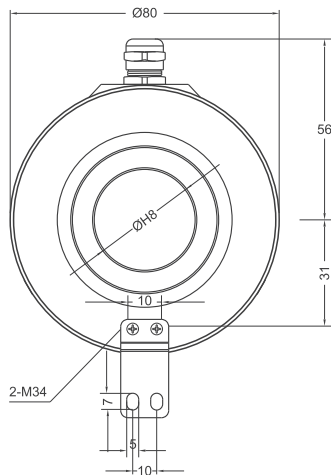
Features

- 80 mm case diameter
- 1024 ppr.
- Hollow shaft diameter 16-20-22-24-25-28-30-40-42 mm
- 3500 rpm max.
- Lift and elevator applications

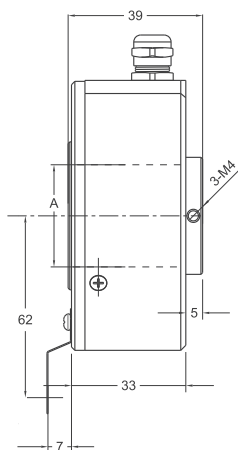


Technical Specifications

Resolution	1024 ppr.	Max. Speed	3500 rpm
Output Channels	A, B, Z or A, \bar{A} , B, \bar{B} , Z, \bar{Z}	Shaft Diameter	Ø 6-8 mm
Output Type	Push-Pull, TTL Linedriver, HTL Linedriver	Shaft Material	Aluminium
Supply Voltage	5 VDC, 8-24 VDC or 5-24 VDC	Case Diameter	Ø 16-20-22-24-25-28-30-40-42 mm
Power Consumption (without load)	< 40 mA (24 VDC)	Case Material	Aluminium and painted steel
Cable	2.5m (standard) 5 wire + Shield (Push-Pull) 2.5m (standard) 8 wire + Shield (Linedriver)	IP Degree	IP 50
Max. Permissible Shaft Loading Radial	180 N	Operating Temperature	-20°C ... +80°C
Axial	80 N	Storage Temperature	-30°C ... +90°C



H Type (Radial)



Shaft Diameter (A)
16
20
22
24
25
28
30
40
42

Linedriver Cable Output

- Ch A : Yellow
- Ch A inv.: Blue
- Ch B : Green
- Ch B inv.: Red
- Ch Z : Gray
- Ch Z inv.: Pink
- +V : Brown
- 0V : White
- GND : Shield

Push-Pull Cable Output

- Ch A : Yellow
- Ch B : Green
- +V : Brown
- 0V : White
- GND : Shield

Model	Case Diameter	Case Type	Shaft Diameter	Output Type	Resolution	Output Channels	Supply Voltage	Connector / Cable	Cable Output
(example) PRI	80	H	25	LTP	1024	Z	V2	2M5	R
PRI	80	H: Hollow	16: 16mm 30: 30mm 20: 20mm 40: 40mm 22: 22mm 42: 42mm 24: 24mm 25: 25mm 28: 28mm	LTP : Push-Pull LD : TTL Linedriver HLD: HTL Linedriver	1024 ppr.	Z: A,B,Z B: A,B	V1: 5 VDC V2: 8-24 VDC V3: 5-24 VDC	2M5: 2,5 meter cable 5M : 5 meter cable 8M : 8 meter cable 10M: 10 meter cable C12: 12 pin connector	R: Radial