



## IOLITEI-1XACC

Isolated IEPE signal conditioner with EtherCAT bus and DEWESoft software support.

IOLITEi-1xACC is a single channel signal conditioner for IEPE sensors with high-precision isolated front end and EtherCAT bus on the back side.



### FEATURES

- 24 bit ADC, 40 kS/s max. sample rate
- -100 dB noise floor, 100 dB spurious-free dynamic range
- Signal and power isolation from EtherCAT to front-end
- TEDS communication
- EtherCAT bus, daisy-chaining with single cable up to 50 m device-device
- DEWESoft X3 software support

### APPLICATIONS

- Machine vibration monitoring
- Bearing fault detection
- Modal structural analysis

### ANALOG INPUT SPECIFICATION

	Typ.	Unit
ADC resolution	24	bit
ADC type	Sigma-delta	
Max. sample rate	40	kS/s
Measurement modes	IEPE, Voltage	
Input coupling	AC, DC	
Measurement ranges	+10, +5, +1, +0.2	V
Hardware high-pass filters	0.1, 1	Hz
Sensor recognition	TEDS over IEPE	
Sensor disconnect warning	Channel goes to overload	
Isolation	125 Vrms channel to ground	
Front connector	BNC	
Input accuracy (25 degC)	+0.03 % of reading +0.1 mV	
Temperature gain drift	10	ppm/K
Temperature offset drift	(0.3 uV + 5 ppm of range)/K	
Gain non-linearity	<0.02	%
SNR (10 kS/s, 10 V range, 18 Vpp sine wave @1 kHz)	90	dB
Noise floor (10 kS/s, 10 V range, input terminated)	100	dB
SFDR (10 kS/s, 10 V range, 18 Vpp sine wave @1 kHz)	100	dB
THD (10 kS/s, 10 V range, 18 Vpp sine wave @1 kHz)	-107	dB
Passband	0.45	fs
Passband flatness	0.01	dB
Stopband rejection	-90	dB
Rejection at ADC oversampling frequency	-90	dB
Alias-free bandwidth	0.40	dB
-3 dB bandwidth	0.49	dB
Slew rate (-10 V to +10 V at 40 kS/s)	0.4	V/us

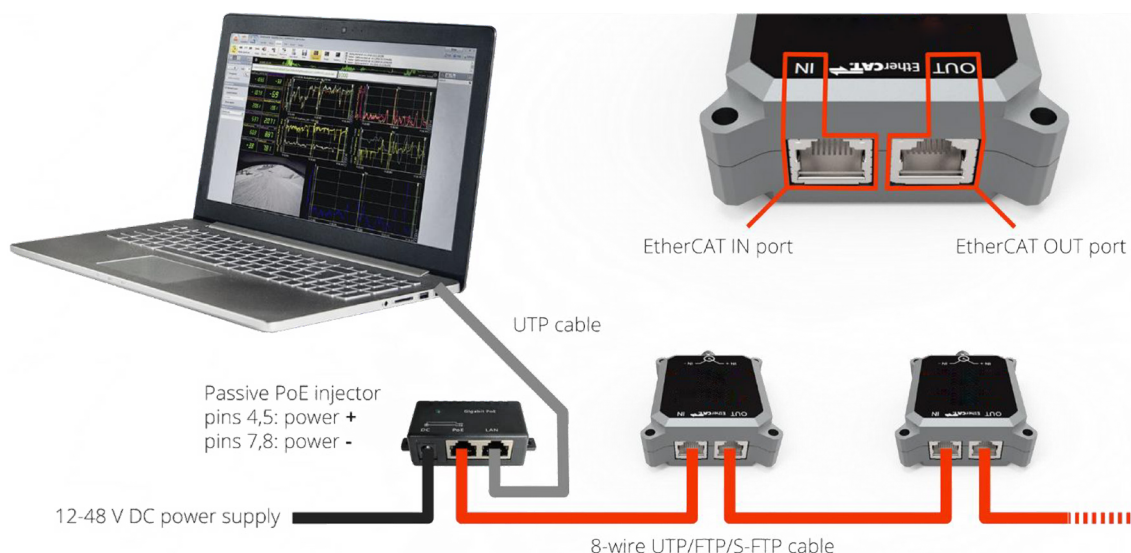
**GENERAL SPECIFICATION**

Digital interface	EtherCAT
Data interface connectors	RJ45 (single cable for data, power and sync)
Power consumption	2 W
Supply voltage	12-48 V
Operating temperature	-20 ... 60 degC
IP rating	IP20
Weight	130 g
Dimensions	82 x 62 x 28 mm

**Software support:** DEWESoft X3, any standard EtherCAT master

**Installation:** Devices are daisy chained with a standard network cable. It is recommended that the cable is shielded (SFTP, CAT5e) and has a minimum 24 AWG wire thickness. The cable must have 4 wire pairs. The maximum distance node-to-node is 50 m.

**Power supply:** Passive PoE power injector is necessary for merging the EtherCAT signal and power into a single cable.



Power supply voltage	Cable length device-to-device	Cable size	Max. number of devices from a single power supply
24 V	1 m	AWG 24	6
24 V	50 m	AWG 24	3
48 V	1 m	AWG 24	12
48 V	50 m	AWG 24	7

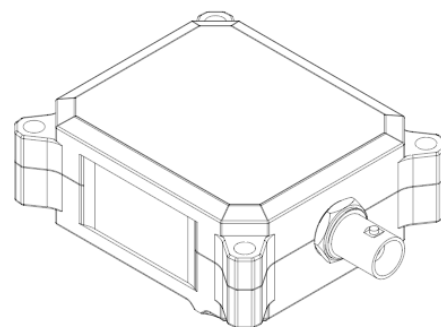
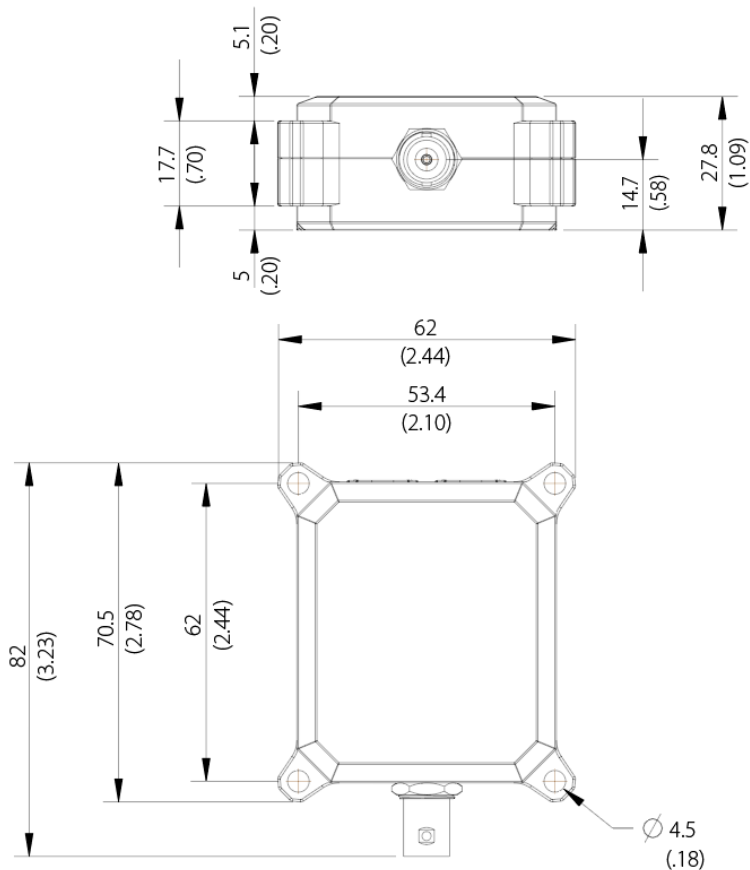
**Note:** This table applies if device consumes its typical power supply as specified in general specification. The max. nr. of devices from a single power supply can change if devices uses more/less power (depending primarily on sensor excitation and front end power supply load).

**FRONT END CONNECTOR PINOUT**





**MECHANICAL DRAWING**



The information provided herein is to the best of our knowledge true and accurate, it is provided for guidance only. All specifications are subject to change without prior notification.

**Althen – Your expert partner in Sensors & Controls | [althensensors.com](http://althensensors.com)**

Althen stands for pioneering measurement and custom sensor solutions. In addition we offer services such as calibration, design & engineering, training and renting of measurement equipment.

Germany/Austria/Switzerland  
[info@althen.de](mailto:info@althen.de)

Benelux  
[sales@althen.nl](mailto:sales@althen.nl)

France  
[info@althensensors.fr](mailto:info@althensensors.fr)

Sweden  
[info@althensensors.se](mailto:info@althensensors.se)

USA/Canada  
[info@althensensors.com](mailto:info@althensensors.com)

Other countries  
[info@althensensors.com](mailto:info@althensensors.com)