



C802 / DeepWater 420
DeepWater 4-20 mA Tiltmeter

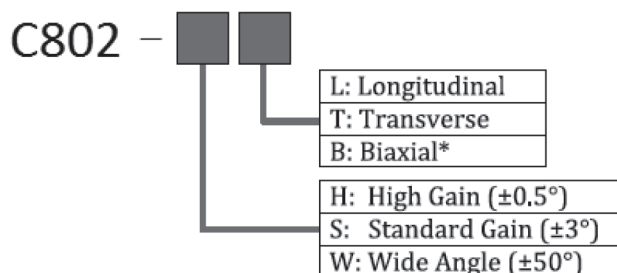


The model C802 Deepwater is a high-precision submersible tiltmeter for use in marine, offshore, and deep ocean applications with 4- 20mA output. Using an absolute gravity referenced electrolytic sensor, the C802 delivers superior measurement accuracy with virtually no long-term drift. High-gain units are sensitive to <0.0017 mm/m or better. All units are rated to +2500m waterproof for advanced protection from the elements. Use the D802 "DeepWater" for structural monitoring, angle measurement and control, platform leveling, and more.

	High-Gain	Standard	Wide-Angle
Angular Range	±0.5°	±3.0°	±50°
Resolution	<0.0001°	0.0006°	0.01°
Repeatability	<0.0002°	0.001°	0.02°
Non-Linearity	1%	2%	0.5%
Scale Factor	0.0625°/mA	0.375°/mA	6.25°/mA
Kz Temp Coefficient (deg/C)	±0.0002°/°C (typical)		±0.002°/°C (typical)
Ks Temp Coefficient (%/°C)	<0.04%/°C (typical)		<0.1%/°C (typical)
Time Constant	0.15 sec		
Output	4-20mA Two-wire current loop (per axis)		
Channels	Tilt, Temperature		
Output Impedance	270 ohms		
Temperature Output	0.1°C/mV typical (single ended; 0°C = 0mV)		
Power	(0.02 Ampere x R + 10 VDC) < Vs < 29 VDC		
Environmental	-4 to +60°C operation; -40 to +85°C storage. IP68		
Dimensions	120 x 80 x 60 mm, 5 kg (11 lb.)		
Materials	316 SS (6AL-4V Titanium also available)		
Cable	6-conductors, Neoprene, 20 AWG, no shield		

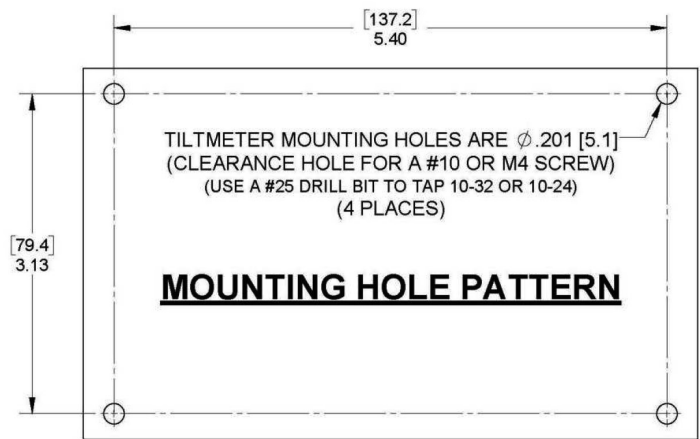
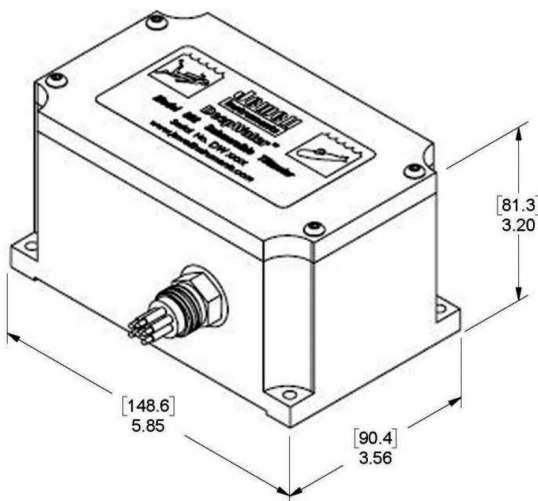
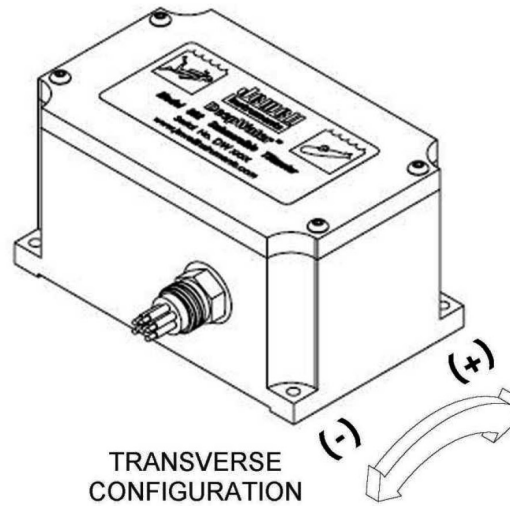
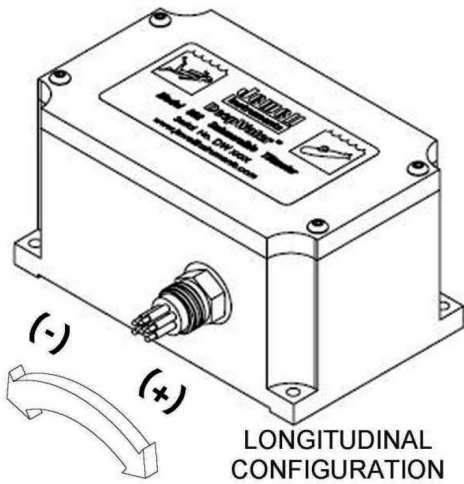
Specifications subject to change without notice on account of continued product development

ORDERING CODE





DIMENSIONS & AXIS CONFIGURATIONS:

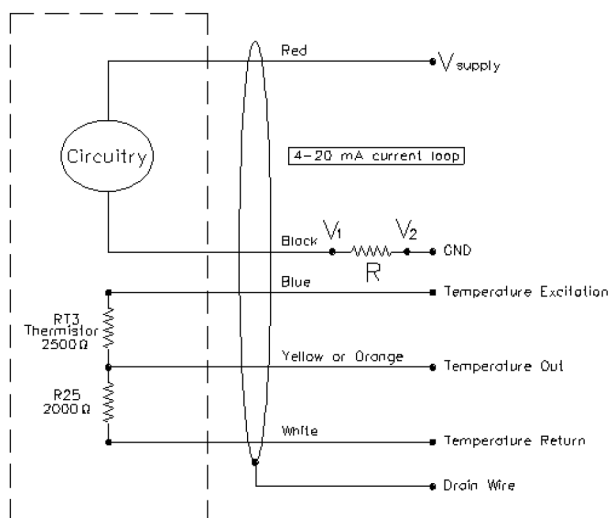


DIMENSIONS ARE IN INCHES [MILLIMETERS]



CIRCUIT DIAGRAM:

Model C802 (Uniaxial Versions)



Model C802 (Biaxial Versions)

