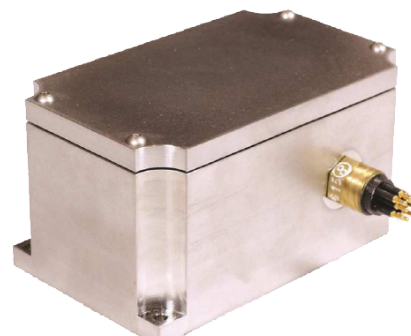




## A802 DeepWater Analog Tiltmeter

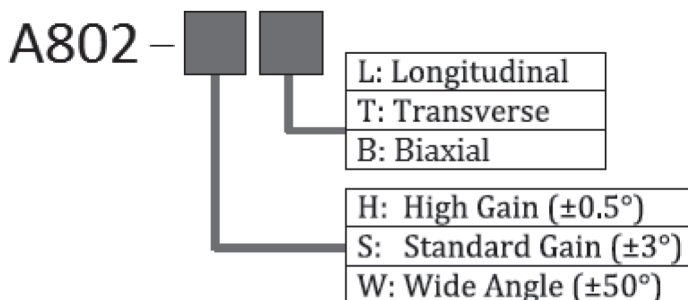
The model A802 Deepwater is a high-precision submersible tiltmeter for use in marine, offshore, and deep ocean applications. Using an absolute gravity referenced electrolytic sensor, the A802 delivers superior measurement accuracy with virtually no long-term drift. Highgain units are sensitive to <math><0.0017\text{ mm/m}</math> or better. Output is a stable  $\pm 5\text{ VDC}$  voltage ( $\pm 10\text{ VDC}$  differential), which can be read with any VDC input data recorder. All units are rated to +2500m waterproof for advanced protection from the elements. Use the A802 "Deepwater" for structural monitoring, angle measurement and control, platform leveling, and more.



	High-Gain	Standard	Wide-Angle
Angular Range	$\pm 0.5^\circ$	$\pm 3.0^\circ$	$\pm 50^\circ$
Resolution	$<0.0001^\circ$	$0.0006^\circ$	$0.01^\circ$
Repeatability	$<0.0002^\circ$	$0.001^\circ$	$0.02^\circ$
Non-Linearity	1%	$<2\%$	0.5%
Scale Factor	$0.1^\circ/\text{V}$	$0.6^\circ/\text{V}$	$10^\circ/\text{V}$
Time Constant	1.75 sec (2-pole Butterworth low-pass filter)		0.15 sec
Kz Temp Coefficient (deg/C)	$\pm 0.0002\text{ arcsec}/^\circ\text{C}$ (typical)		$\pm 0.002\text{ arcsec}/^\circ\text{C}$ (typical)
Ks Temp Coefficient (%/°C)	$0.02\%/^\circ\text{C}$ (typical)		
Output	$\pm 5\text{VDC}$ (single ended); $\pm 10\text{VDC}$ (differential)		
Channels	Tilt, Temperature		
Output Impedance	270 ohms		
Temperature Output	$0.1^\circ\text{C}/\text{mV}$ typical (single ended; $0^\circ\text{C} = 0\text{mV}$ )		
Power	8-18 VDC @ 8mA, 250 mV ripple max, reverse polarity protected		
Environmental	-4 to $+60^\circ\text{C}$ operation; -30 to $+100^\circ\text{C}$ storage. IP68		
Dimensions	120 x 80 x 60 mm, 5 kg (11 lb.)		
Materials	316 SS (6AL-4V Titanium also available)		
Cable	6-conductors, two-types available: 1) Neoprene, 20 AWG, no shield or 2) PVC-jacketed, polypropylene-insulation, 24 AWG, shielded. Order cable separately.		

*Specifications subject to change without notice on account of continued product development*

### ORDERING CODE

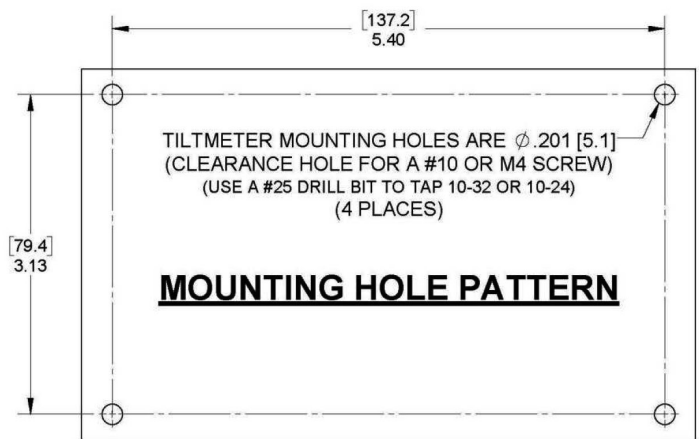
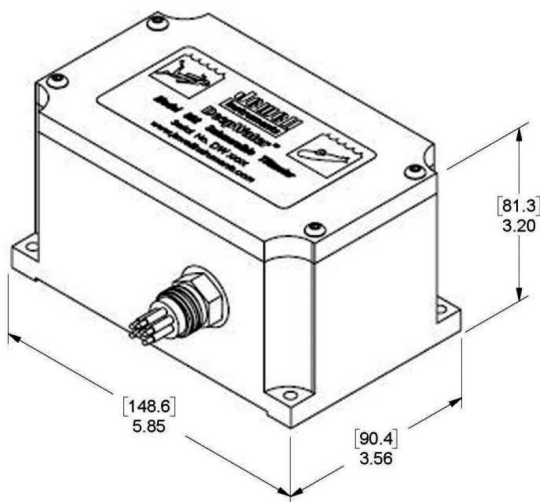
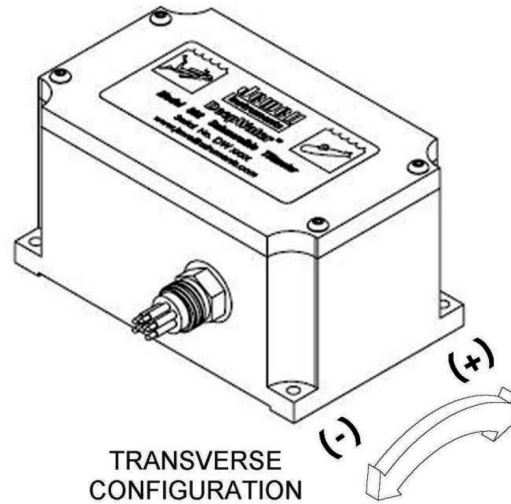
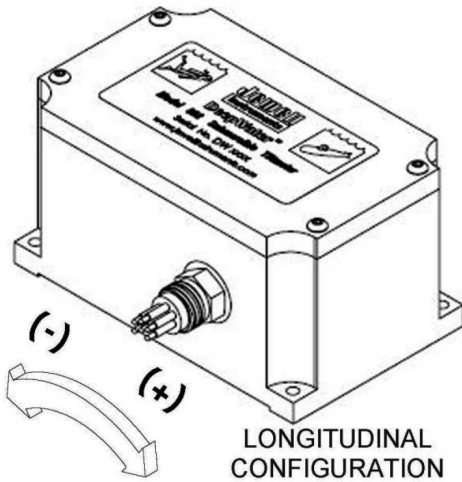


### WIRING/PIN-OUT:

Pin	Wire Color	Function
1	Black	Power Ground
2	White	Signal Ground
3	Red	V+
4	Green	+Tilt
5	Yellow	Temperature
6	Blue	-Tilt (differential)



**DIMENSIONS & AXIS CONFIGURATIONS:**



DIMENSIONS ARE IN INCHES [MILLIMETERS]