



bar

## AGS4000 GENSPEC® Standard Pressure Transmitter

### SPECIFICATIONS

- Suitable for the majority of industrial applications
- Pressure ranges available from
- 0-500 mbar to 0-700 bar
- Gauge or Absolute reference
- Reliable pressure measurement
- Long service life
- Robust yet compact designs



The Genspec AGS4000 series of general-purpose pressure transducers is designed for applications where economical price and reliable pressure measurement is required. Incorporating bonded strain gauge technology and utilising unique manufacturing techniques results in a low cost, high quality transducer ideal for O.E.M applications.

Constructed from stainless steel with 17/4 PH stainless steel diaphragm for ranges above 20 bar, and a ceramic diaphragm for lower ranges, the GENSPEC series of transducers are of a robust yet compact design. Applications include the continuous monitoring of oil, gas, water and other liquids in a wide range of industries.

Available in pressure ranges from 0-0.5 bar to 0-700 bar, gauge or absolute and electrical outputs 0-2 mV/V, 0-5 Vdc, 0-10 Vdc and 4-20 mA (two wire).



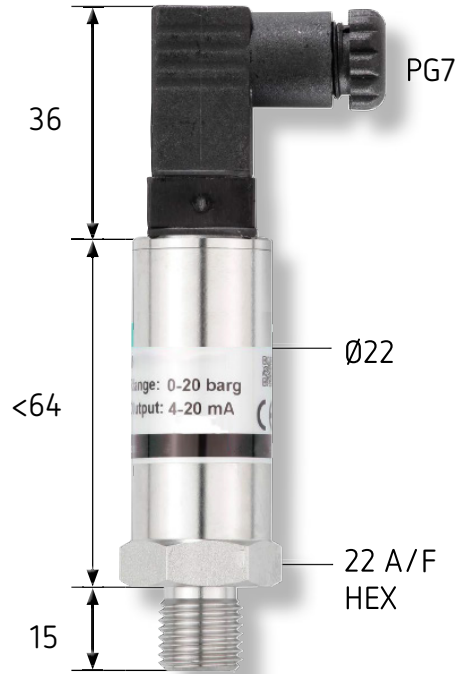


**DIMENSIONS (in mm)**

Model	Dimension 'A'
AGS4000 / AGS4100	36
AGS4101,2,3	55
AGS4001,2,3	64

ELECTRICAL CONNECTION (mA)	
<b>Pin No.</b>	<b>2 wire</b>
1	+supply
2	4-20mA signal
3	not fitted
⏚	to case

ELECTRICAL CONNECTION (Vdc)		
<b>Pin No.</b>	<b>4 wire</b>	<b>3 wire</b>
1	-supply	common
2	+supply	+supply
3	+output	+output
⏚	-output	to case



Model shown AGS4003



**TECHNICAL DATA**

Type:	AGS4000 / AGS4100	AGS4xx1	AGS4xx2	AGS4003 / AGS4103
Sensor Technology	Ceramic Thick Film or Bonded Foil Strain Gauge			
Output signal:	2 mV/V typical (4 wire)	0 - 5 V (3 or 4 wire)	0 - 10 V (3 or 4 wire)	4 - 20 mA (2 wire)
Supply Voltage:	10 VDC (5 - 15 V)	13 - 30 VDC	13 - 30 VDC	13 - 36 VDC
Pressure Reference:	Gauge (up to 700 bar) or Absolute (up to 25 bar)			
Protection of Supply Voltage:	Protected against supply voltage reversal up to 50 V (amplified versions)			
Standard Pressure Ranges (bar):	0-1 bar Vac; 0-0.5 bar; 0-1 bar; 0-10 bar; 0-25 bar; 0-100 bar; 0-250 bar; 0-700 bar (other ranges available)			
Standard Pressure Ranges (psi):	0-30 in Hg; 0-7.5 psi; 0-15 psi; 0-150 psi; 0-300 psi; 0-1,500 psi; 0-3,000 psi; 0-10,000 psi (other ranges available)			
Overpressure Safety:	1.6x from ranges -1 bar to 20 bar; 2x for ranges 25 bar to 250 bar; 1.5 for ranges 400 bar (6,000 psi) to 700 bar (10,000 psi)			
Load Driving Capability:	4-20 mA: $RL < [UB - 13 V] / 20 \text{ mA}$ (e.g. with supply voltage (UB) of 36V, max. load (RL) is 1150 Ω); 2 mV/V: n/a; 0-5 V: max. load $RL > 5 \text{ K}\Omega$ ; 0-10 V: max. load $RL > 10 \text{ K}\Omega$			
Accuracy NLHR:	$\leq \pm 0.4 \%$ of span BFLS			
Zero Offset and Span Tolerance:	$\pm 1.0 \%$ FS at room temperature (GS4000/GS4100: $\pm 0.2 \text{ mV}$ )			
Operating Ambient Temperature:	-20 °C to +85 °C (-4 °F to +185 °F)			
Operating Media Temperature:	-20 °C to +85 °C (-4 °F to +185 °F)			
Storage Temperature:	+5 °C to +40 °C (+41 °F to +104°F) Recommended Best Practice			
Temperature Effects:	$\pm 2\%$ FS total error band for -20 °C to +70 °C. Typical thermal zero and span coefficients $\pm 0.03 \%$ FS/°C			
Electromagnetic Capability:	Emissions: EN61000-6-4; Immunity: EN61000-6-2; Certification: CE Marked			
Insulation Resistance:	$> 100 \text{ M}\Omega @ 50 \text{ VDC}$			
Response time 10-90 %:	1 mS			
Wetted Parts:	SAE 303 stainless steel, alumina and nitrile (NBR) seal for ranges up to 20 bar, and 17/4PH and SAE 303 stainless steel for ranges above 20 bar			
Pressure Media:	All fluids compatible with SAE 303 stainless steel, alumina and nitrile (NBR) seal for ranges up to 20 bar, and 17/4PH stainless steel for ranges above 20 bar			
Pressure Connection:	1/4" BSP male (G1/4) or 1/4" NPT male (others options available)			
Electrical Connection:	Mating micro DIN socket EN175301-803 Form C (ex DIN43650), a screw terminal connector rated IP65 (other options available)			



**ORDER MATRIX**

Output	Wires	Type	Electrical Connector	Pressure Rang	Pressure Type	Process Connection	Calibration					
2mV/V	Model above 20 bar	4										
0-5 Vdc		4										
0-10 Vdc		3										
		4										
4-20 mA		3										
2m V/V	Model up to 20 bar	4										
0-5 Vdc		4										
0-10 Vdc		3										
		4										
4-20 mA		3										
<b>Electrical Connection / Option</b>												
DIN plug and socket								M				
Cable outlet 1m screened			A									
M12 connector			B									
Cable outlet 1m screened IP67 protection			C									
<b>Pressure Range in bar</b>												
0-0.5 bar				0.5								
0-1 bar				0001								
0-10 bar				0010								
0-25 bar				0025								
0-100 bar				0100								
0-250 bar				0250								
0-700 bar				0700								
<b>Pressure Type</b>												
Vented Gauge					G							
Absolute Gauge					A							
Vacuum Gauge					V							
Compound Range					C							
<b>Process Connection</b>												
1/4" BSP male (G1/4)						AB						
1/4" NPT Male						AM						
<b>AGS4003 - M - 0010 - G - AB</b>												
<b>Calibration</b>												
5-point calibration certificate							5P					
10-point calibration certificate							10P					

**Order Number Example**

For options not listed please contact sales team.