

Nm

ABRTL-NR SERIES

Flanged Type Reaction Torque Transducer (50N-m ~ 2000N-m)

The ABRTL-NR series, reaction torque transducers, guarantee the high performance comparing to the other in the same class.

FEATURES

- Low deflection.
- Small size.
- Alloy tool steel construction
- High stability and sensitivity

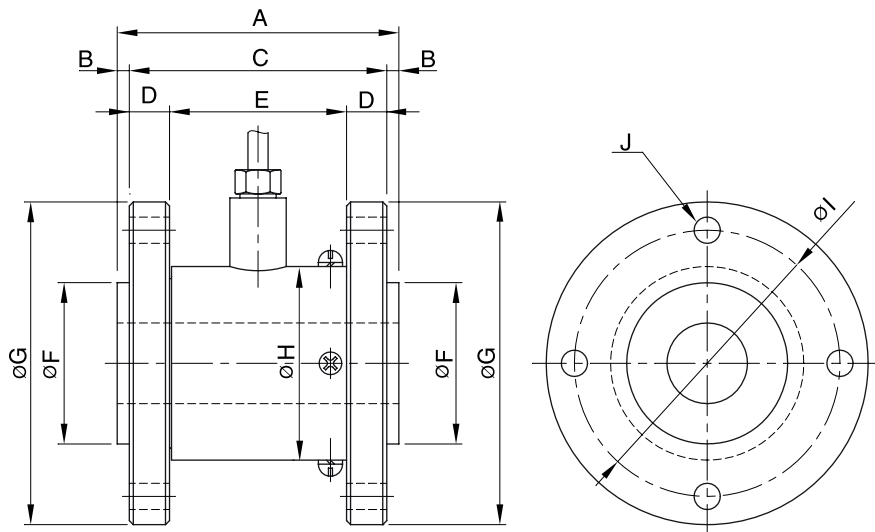


SPECIFICATIONS

MODEL	ABRTL-NR
Rated capacity (R.C.)	50, 100, 200, 500, 1000, 2000 N-m
Rated output(R.O.)	1.0mV/V ± 0.5%
Non-linearity	≤ 0.2% R.O.
Hysteresis	≤ 0.2% R.O.
Non-repeatability	≤ 0.1% R.O.
Creep error	≤ 0.2% in 20min.
Zero balance	≤ 1% R.O.
Compensated temperature range	-10 ~ 70 °C
Operating temperature range	-20 ~ 80°C
Temp. effect on rated output	≤ 0.2% LOAD/10 °C
Temp. effect on zero balance	≤ 0.2% R.O./10 °C
Terminal input resistance	420 Ohms ± 50 Ohms
Terminal output resistance	350 Ohms ± 5 Ohms
Insulation resistance (Min.)	2000 MOhms at 50V DC
Excitation voltage	3~12V(Recommended), 15V(Max.)
Electrial connection	∅ 7mmx3m(22AWG x 4Core Shielded)
Protection class	meets IP 64
Safe overload	150% R.C
Ultimate overload	300% R.C



DIMENSION-mm



Dimension-mm

Rated Capacity	A	B	C	D	E	F	G	H	I	J	Weight(kg)
50 N-m (5.10kg-m)	70	3	64	10	44	40	80	48	66	2 x 4 - Ø6.5	1.5
100 N-m (10.2kg-m)	70	3	64	10	44	40	80	48	66	2 x 4 - Ø6.5	1.5
200 N-m (20.4 kg-m)	86	3	80	15	50	40	98	58	78	2 x 6 - Ø10.5	1.8
500 N-m (51.0kg-m)	126	3	120	20	80	60	118	58	95	2 x 6 - Ø10.5	2.7
1000 N-m (102kg-m)	136	3	130	20	90	60	146	75	115	2 x 6 - Ø14	2.9
2000 N-m (204kg-m)	146	3	140	25	90	60	166	88	130	2 x 6 - Ø18	3.2

* Specifications are subject to change without notice

ORDERING INFORMATION

ABRTL-NR - 50
 MODEL ABRTL-NR CAPACITY 50, 100, 200, 500, 1000, 2000 N-m

WIRING INFORMATION

