

AWLFN2R SERIES

Specially designed for protecting cranes from overload and for measuring the tension of wireropes (500kg ~ 10t/rope).

In many industrial applications the tension in were rope needs to be carefully and continuously monitored.

Usually al load cells placed in series with the rope, either at a point along its length or more commonly between the end of the rope and the fixture. the problem is that such a load cell is best suited to new application where it is designed in at an early stage.

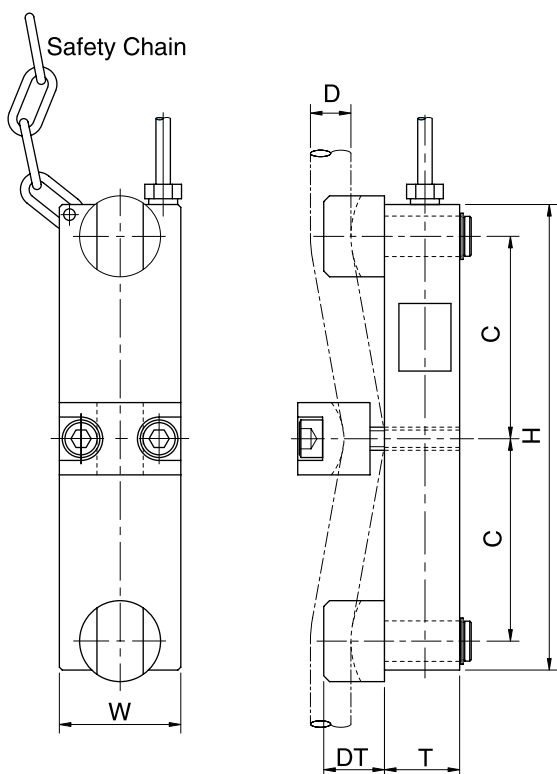


SPECIFICATIONS

MODEL	AWLFN2R
Rated capacity (R.C.)	500kg, 1, 1.5, 2.5, 4, 8, 10t / Rope
Rated output(R.O.)	Approx. 1.0mV/V
Non-linearity	≤ 1.0% R.O.
Hysteresis	≤ 1.0% R.O.
Non-repeatability	≤ 1.0% R.O.
Creep error	≤ 1.0% in 20min.
Zero balance	≤ 1% R.O.
Compensated temperature range	-10 ~ 70 °C
Operating temperature range	-20 ~ 80°C
Temp. effect on rated output	≤ 0.05% LOAD/10°C
Temp. effect on zero balance	≤ 0.05% R.O./10 °C
Terminal input resistance	400 Ohms ± 10 Ohms
output resistance	350 Ohms ± 5 Ohms
Insulation resistance (Min.)	2000 MOhms at 50V DC
Recommended excitation	3~12V(Recommended), 15 V(Max.)
Electrial connection	∅ 7mmx6m(22AWG x 4Core Shielded)
Protection class	meets IP 64
Safe overload	200% R.C
Ultimate overload	400% R.C

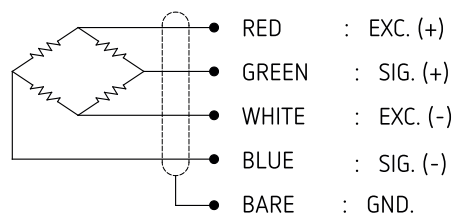
DIMENSION-mm

ORDERING INFORMATION



AWLFN2R - 10T
 MODEL: AWLFN2R
 CAPACITY: 500kg, 1, 1.5, 2.5, 4, 8, 10ton / Rope

WIRING INFORMATION



* Specifications are subject to change without notice

Rated Capacity	C	DT	H	T	W	Ø D Wire rope	Weight (kg)
0.5t, 1t	60	15.5	145	20	34	Ø 6 ~ Ø 8	1.6
1.5t	70	21	167	22	42	Ø 10 ~ Ø 14	2.1
2.5t	75	27	180	22	48	Ø 14 ~ Ø 20	2.6
4t	90	35	215	25	62	Ø 18 ~ Ø 28	3.7
8t, 10t	100	45	250	35	80	Ø 25 ~ Ø 35.5	7.0

Rated Capacity : Max. Load per wire rope