

kg **ACBESR SERIES**
Compression / Low Profile Load Cell (50kg ~ 20t)

The model ACBESR miniature type is designed for low profile compression service. Its compact size makes the cell ideal for a wide range of applications including testing & weighing systems.



FEATURES

- 17-4PH Stainless steel construction.
- Fully welded seal with stainless steel cover for hostile environment applications.
- Compact size with low profile.

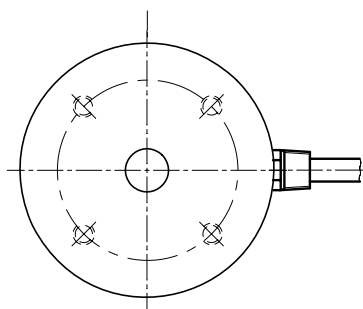
SPECIFICATIONS

MODEL	ACBESR	
Rated capacity (R.C.)	50, 100, 200, 500kg	
	1, 2, 3, 5, 10, 20t	
Rated output(R.O.)	2.0mV/V ± 0.25%	
Non-linearity	≤0.1% R.O.	
Hysteresis	≤0.1% R.O.	
Non-repeatability	≤0.1% R.O.	
Creep error	≤0.03% in 20min.	
Zero balance	≤1% R.O.	
Compensated temperature range	-10 ~ 70 °C	
Operating temperature range	-20 ~ 80°C	
Temp. effect on rated output	≤0.05% LOAD/10 °C	
Temp. effect on zero balance	≤0.05% R.O./10 °C	
Terminal input resistance	700 Ohms ± 10 Ohms	
Terminal output resistance	700 Ohms ± 10 Ohms	
Insulation resistance (Min.)	2000 MOhms at 50V DC	
Excitation voltage	3~12V(Recommended), 15V(Max.)	
Electrical connection	50kg ~ 2t	∅5mmx3m(22AWG x 4Core Shielded)
	3t ~ 20t	∅7mmx6m(22AWG x 4Core Shielded)
Protection class	meets IP 68	
Safe overload	150% R.C	
Ultimate overload	300% R.C	



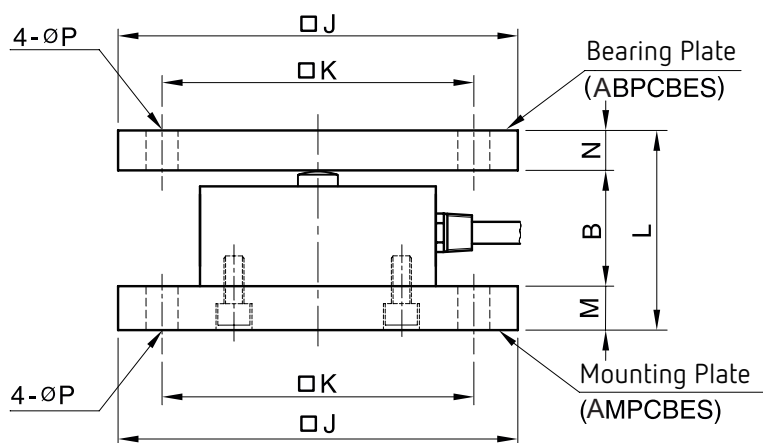
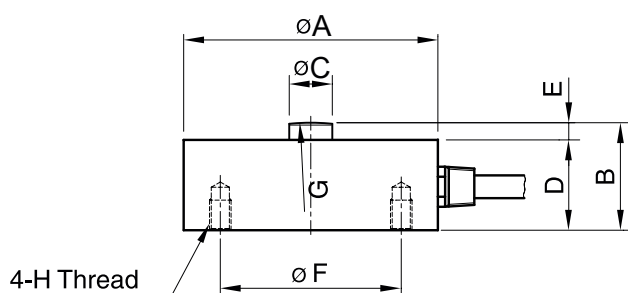
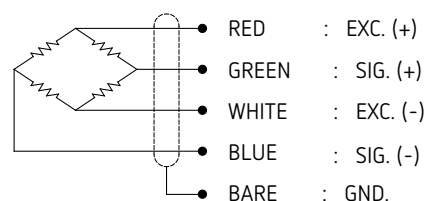
DIMENSION-mm

ORDERING INFORMATION



ACBESR	-	10T
MODEL ACBESR		CAPACITY 50, 100, 200, 500kg 1, 2, 3, 5, 10, 20ton

WIRING INFORMATION



Capacity	A	B	C	D	E	F	G	H	J	K	L	M	N	P	Bearing Plate	Mounting Plate	Weight(kg)
50kg ~ 2t (490.3N ~19.61kN)	59	25	10	21	4	42	R 50	M5x0.8P Depth 7	100	78	55	15	15	8	ABPC BES-1	AMPCBES-1	0.35
3t ~10t (29.42kN ~98.07kN)	98	45	20	40	5	72	R 150	M6x1P Depth 8	160	126	105	30	30	14	ABPC BES-2	AMPCBES-2	2.3
20t (196.1kN)	118	50	20	45	5	90	R 250	M8x1.25P Depth 15	160	126	110	30	30	14	ABPC BES-3	AMPCBES-3	3.7

* Specifications are subject to change without notice