

kg ACDESR SERIES
Tension & Compression / Low Profile Load Cell (50kg ~ 2t)

The model ACDESR miniature type is designed for low profile tension and compression service. Its compact size makes the cell ideal for a wide range of applications including testing & weighing systems.



FEATURES

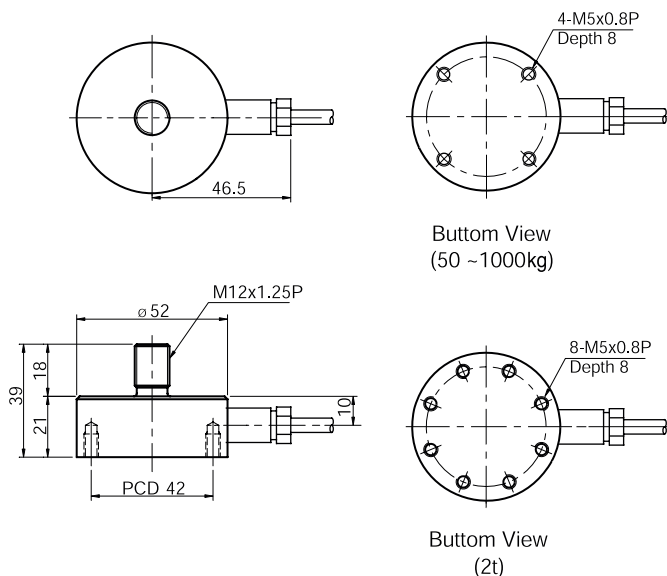
- 17-4PH Stainless steel construction
- Fully welded seal with stainless steel cover for hostile environment applications.
- Compact size with low profile.

SPECIFICATIONS

MODEL	ACDESR
Rated capacity (R.C.)	50, 100, 200, 500, 1000, 2000kg
Rated output(R.O.)	2.0mV/V ± 0.25%
Non-linearity	≤0.1% R.O.
Hysteresis	≤0.1% R.O.
Non-repeatability	≤0.1% R.O.
Creep error	≤0.03% in 20min.
Zero balance	≤1% R.O.
Compensated temperature range	-10 ~ 70 °C
Operating temperature range	-20 ~ 80°C
Temp. effect on rated output	≤ 0.05% LOAD/10 °C
Temp. effect on zero balance	≤ 0.05% R.O./10 °C
Terminal input resistance	700 Ohms ± 10 Ohms
Terminal output resistance	700 Ohms ± 10 Ohms
Insulation resistance (Min.)	2000 MOhms at 50V DC
Excitation voltage	3~12V(Recommended), 15V(Max.)
Electrical connection	∅5mmx3m(22AWG x 4Core Shielded)
Protection class	meets IP 67
Safe overload	150% R.C
Ultimate overload	300% R.C



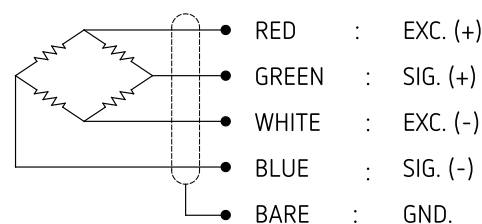
DIMENSION-mm



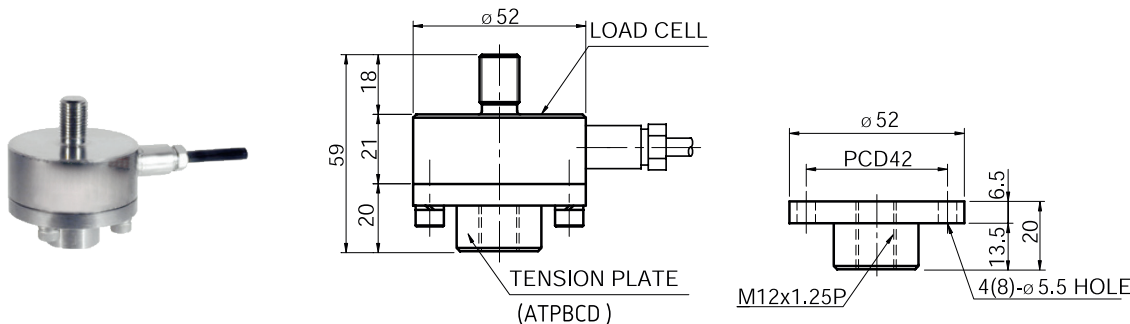
ORDERING INFORMATION

Load Cell	ACDESR - 2T	
	MODEL ACDESR	CAPACITY 50, 100, 200, 500kg, 1, 2ton
Tension Plate	ATPCD - 2T	
	MODEL ATPCD ATPBCD	CAPACITY 50, 100, 200, 500kg, 1, 2ton

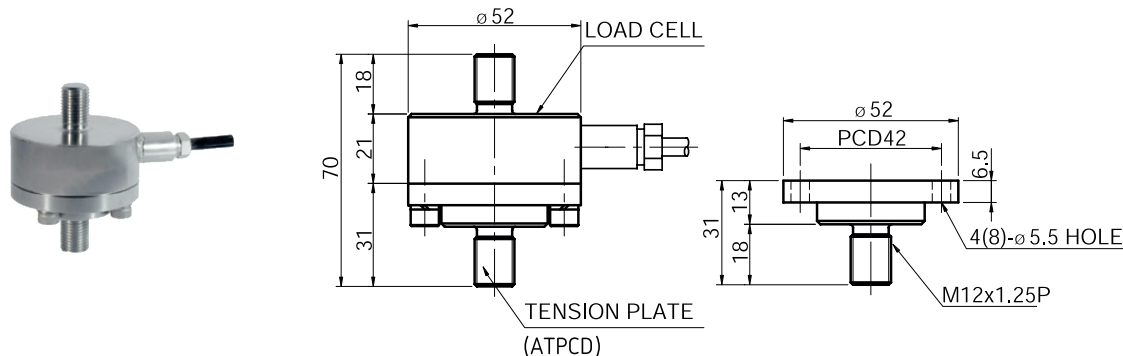
WIRING INFORMATION



Tension Plate : ATPBCD



Tension Plate : ATPCD



* Specifications are subject to change without notice