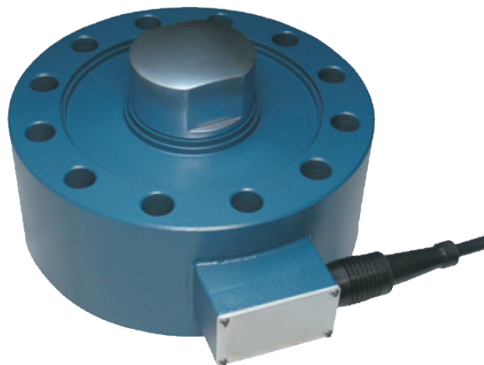




kg **ACSDHR SERIES**
Compression / Low Profile Load Cell (30t ~ 100t)

The model ACSDHR is a low profile compression shear type load cell suited to precision applications where headroom and side loads are a problem. All units are machined from a solid billet of tool steel and sealed with welded diaphragms.



FEATURES

- Hermetically sealed
- High rated output(3mV/V)
- Low profile

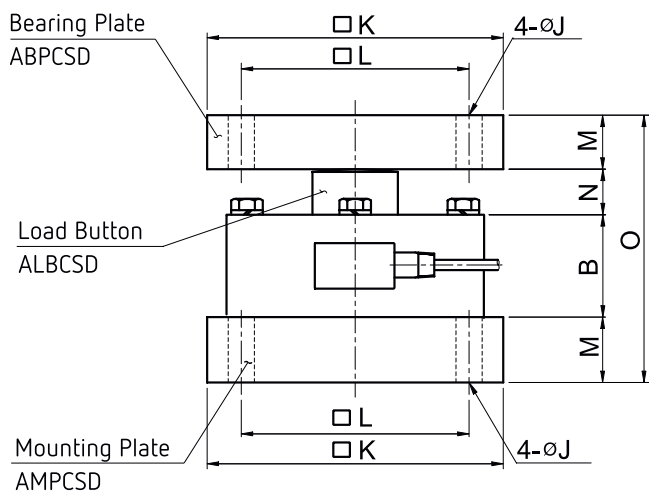
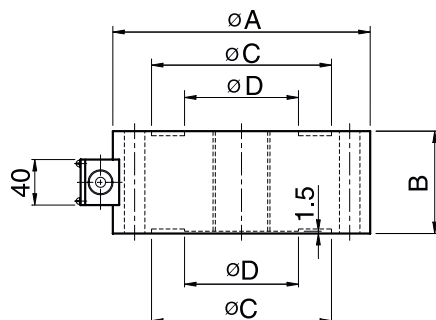
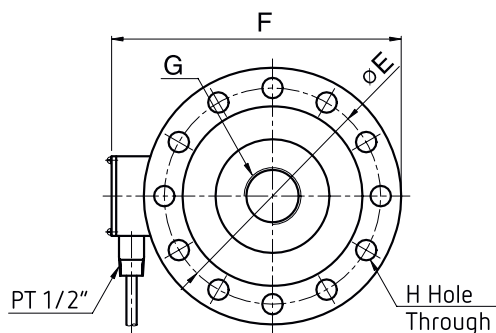
SPECIFICATIONS

MODEL	ACSDHR
Rated capacity (R.C.)	30, 50, 100t
Rated output(R.O.)	3mV/V ± 0.3%
Non-linearity	≤ 0.1% R.O.
Hysteresis	≤ 0.1% R.O.
Non-repeatability	≤ 0.05% R.O.
Creep error	≤ 0.03% in 20min.
Zero balance	≤ 1% R.O.
Compensated temperature range	-10 ~ 70 °C
Operating temperature range	-20 ~ 80°C
Temp. effect on rated output	≤ 0.03% LOAD/10 °C
Temp. effect on zero balance	≤ 0.03% R.O./10 °C
Terminal input resistance	350 Ohms ± 3.5 Ohms
Terminal output resistance	350 Ohms ± 5 Ohms
Insulation resistance (Min.)	2000 MOhms at 50V DC
Excitation voltage	3~12V(Recommended), 15 V(Max.)
Electrial connection	∅ 9mmx5m(22AWG x 4Core Shielded)
Protection class	meets IP 67
Safe overload	150% R.C
Ultimate overload	300% R.C



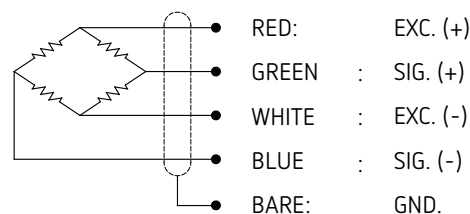
DIMENSION-mm

ORDERING INFORMATION



ACSDHR - **30T**
 MODEL: ACSDHR
 CAPACITY: 30, 50, 100ton

WIRING INFORMATION



Capacity	A	B	C	D	E	F	G	H	J	K	L	M	N	O	Load Button	Bearing Plate	Mounting Plate	Weight (kg)
30, 50t (294.2, 490.3kN)	226	90	158	100	190	268	M50x 2P	12-Ø18	23	260	200	47.5	40	225	ALBCSD1	ABPCSD1	AMPCSD1	23
100t (980.7kN)	306	110	212	138	260	350	M76x 3P	16-Ø23	27	360	280	57.5	50	275	ALBCSD2	ABPCSD2	AMPCSD2	48

* Specifications are subject to change without notice