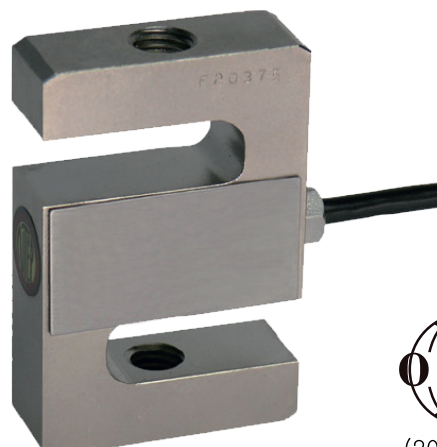


**kg** **ADBBPR SERIES**  
S- Beam Load Cell (20kg ~ 5t)

The ADBBPR S-beam load cell is designed for industrial scale conversion and a variety of process applications.

**FEATURES**

- Alloy tool steel construction for high accuracy.
- Electroless nickel plated for corrosion resistance.
- Fully sealed to IP67

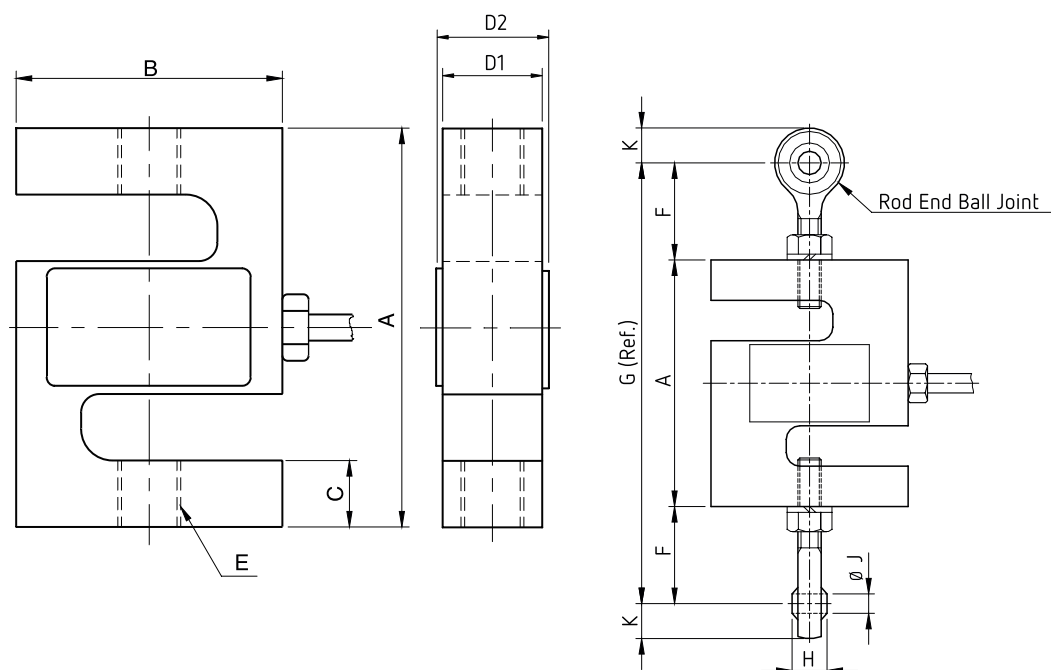


**SPECIFICATIONS**

MODEL	ADBBPR
Rated capacity (R.C.)	20, 50, 100, 200, 500kg 1, 2, 3, 5t
Rated output(R.O.)	3.0mV/V ± 0.5%
Non-linearity	≤ 0.03% R.O.
Hysteresis	≤ 0.03% R.O.
Non-repeatability	≤ 0.02% R.O.
Creep error	≤ 0.03% in 20min.
Zero balance	≤ 1% R.O.
Compensated temperature range	-10 ~ 70°C
Operating temperature range	-20 ~ 80°C
Temp. effect on rated output	≤ 0.02% LOAD/10°C
Temp. effect on zero balance	≤ 0.02% R.O./10°C
Terminal input resistance	350 Ohms ±3.5 Ohms
Terminal output resistance	350 Ohms ±5 Ohms
Insulation resistance (Min.)	2000 MOhms at 50V DC
Excitation voltage	3~12V(Recommended), 15V(Max.)
Electrical connection	∅5mmx3m(22AWG x 4Core Shielded)
Protection class	meets IP 67
Safe overload	150% R.C
Ultimate overload	300% R.C



**DIMENSION-mm**



**Dimension-mm**

Rated Capacity	A	B	C	D1 / D2	E	F	G	H	J	K	Rod End Ball Joints	Weight(kg)
20~100kg (196.1 ~ 980.7N)	63.5	50.8	10.4	12.7 / 19.0	M6x1P	25	113.5	9	6	9	ASRDB 1	0.40
200, 500kg (1.961, 4.903kN)	76.2	50.8	12.7	19.0 / 25.0	M12x1.75P	41	158.2	16	12	16	ASRDB 2	0.55
1t (9.807kN)	76.2	50.8	16.0	25.4 / 28	M12x1.75P	41	158.2	16	12	16	ASRDB 2	0.73
2t (19.61kN)	108.0	76.2	20.0	32.0 / 34.6	M20x1.5P	55	218	25	20	23	ASRDB 3	1.70
3, 5t (29.42, 49.03kN)	120.7	88.9	22.1	32.0 / 34.6	M24x2P	55	230.7	28	22	32	ASRDB 4	2.10

★ Specifications are subject to change without notice

**ORDERING INFORMATION**

**ADBBPR** - **5T**  
 MODEL CAPACITY  
 ADBBPR 20, 50, 100, 200, 500kg  
 1, 2, 3, 5ton

**WIRING INFORMATION**

