



bar

AGS4200 GENSPEC® General Purpose Pressure Transmitter

- Silicon-on-Sapphire sensor technology for outstanding performance
- Pressure ranges to 1,500 bar
- Unblemished track record of reliability
- Excellent corrosion resistance
- High strength titanium pressure port
- High resistance to overpressure and pressure transients
- ATEX/IECEx option available (includes M1 for mining applications)
- DNV GL certification available



DESCRIPTION

The GENSPEC AGS4200 pressure transmitter is designed to meet the operational requirements of demanding pressure measurement applications where good quality, fast delivery and low cost are of the highest priority.

The unique Silicon-on-Sapphire sensor technology provides outstanding performance and gives excellent stability over a wide temperature range. The advanced sensor design consists of a piezoresistive silicon strain gauge circuit, which is epitaxially grown onto the surface of a sapphire diaphragm to form a single crystalline structure. The sapphire sensor element is then molecularly bonded to a titanium alloy sub-diaphragm. This enables the sensor to endure higher over-pressures and provides superb corrosion resistance. The sensor exhibits virtually no hysteresis and excellent long-term stability. With outstanding insulation properties, the sapphire substrate allows the sensor to operate over a very wide temperature range without loss of performance.

Standard accuracy is $\pm 0.25\%$ with an over pressure limit of twice the rated pressure range, this together with easy access for re-calibration affirm the excellent design. All models are supplied with integral 1/4" BSP or alternative pressure connections. Optional higher accuracy, outputs and electrical connections are available. The all titanium alloy wetted parts offer unbeatable corrosion resistance. Versions are also available offering IP66 sealing for installations requiring high levels of environmental protection. Applications for the AGS4200 include the continuous monitoring of hydraulic systems with oil, gas, water and other process liquids, industrial, medical and aerospace industries. Also ideal for the measurement and control of pressure in refrigeration, pneumatic, compressor, HVAC and engine monitoring systems.

An optional ATEX and IECEx approved version of this product is available for explosion protection for flammable gases (zone 0), dusts (zone 20) and mining areas (group I M1).

DNV GL rules for classification of ships, high speed & light craft and DNV GL offshore standards.

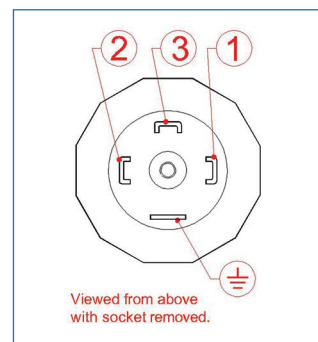
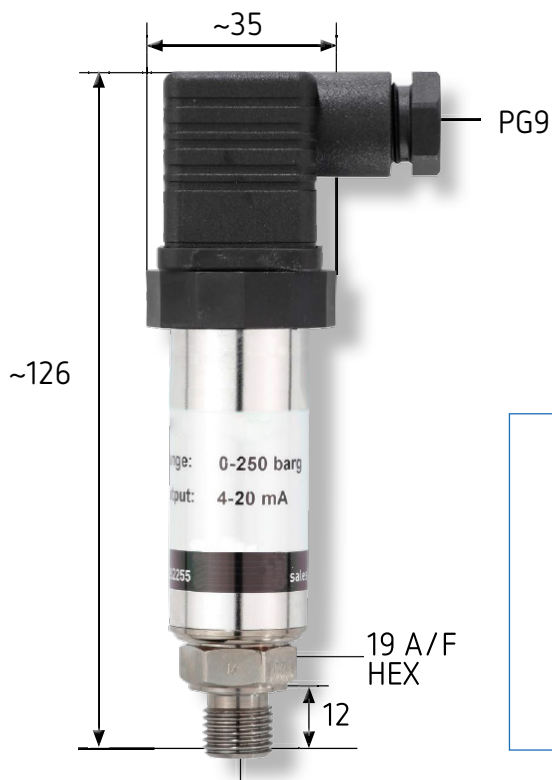




DIMENSIONS (in mm)

ELECTRICAL CONNECTION (mA)	
Pin No.	2 wire
1	+supply
2	4-20mA signal
3	not fitted
⏏	to case

ELECTRICAL CONNECTION (Vdc)		
Pin No.	4 wire	3 wire
1	-supply	common
2	+supply	+supply
3	+output	+output
⏏	- output	to case



1/4" BSP male (G1/4)* * Other threads available



TECHNICAL DATA

Type:	AGS4200	AGS4201	AGS4202 / AGS4212	AGS4203 / AGS4213
Sensor Technology	Silicon-on-Sapphire (SoS)			
Output signal:	4 - 20 mA (2 wire)	0 - 10 mV/V (4 wire)	0 - 5 V (4 or 3 wire)	0 -10 V (4 or 3 wire)
Supply Voltage:	10 - 36 VDC	10 VDC (5 - 15V)	13 - 30 VDC	13 - 30 VDC
Pressure Reference:	Gauge			
Protection of Supply Voltage:	Protected against supply voltage reversal up to 50 V (amplified versions)			
Standard Pressure Ranges (bar):	0-1 bar Vac; 0-0.5 bar; 0-1 bar; 0-2.5 bar; 0-6 bar; 0-10 bar; 0-16 bar; 0-25 bar; 0-100 bar; 0-250 bar; 0-400 bar; 0-600 bar; 0-1,000 bar; 0-1,500 bar (other ranges available)			
Standard Pressure Ranges (psi):	0-30 in Hg; 0-7.5 psi; 0-15 psi; 0-30 psi; 0-100 psi; 0-150 psi; 0-200 psi; 0-300 psi; 0-1,500 psi; 0-3,000 psi; 0-6,000 psi; 0-8,700 psi; 0-15,000 psi; 0-20,000 psi (other ranges available)			
Overpressure Safety:	4x for 0.5 bar range; 2x for ranges -1 bar to 600 bar; 1.5x for 1,000 bar range; 1.1x for 1,500 bar range			
Load Driving Capability:	4-20 mA: RL < [UB - 10 V] / 20 mA (e.g. with supply voltage (UB) of 36 V, max. load (RL) is 1300 Ω) 10 mV/V: n/a; 0-5 V: max. load RL > 5 KΩ; 0-10 V: max. load RL > 10 KΩ			
Accuracy NLHR:	≤ ±0.25 % of span BFSL (Optional higher accuracy version of ≤ ±0.1 % of span BFSL available)			
Zero Offset and Span Tolerance:	±0.5 %FS at room temperature (GS4201: ±1 mV); ±5 %FS (approx.) adjustment with easy access trimming potentiometers on amplified versions only			
Operating Ambient Temperature:	-40 °C to +85 °C (-40 °F to +185 °F)			
Operating Media Temperature:	-50 °C to +125 °C (-58 °F to +257 °F)			
Storage Temperature:	+5 °C to +40 °C (+41 °F to +104 °F) Recommended Best Practice			
Temperature Effects:	±1.5 %FS total error band for -20 °C to +70 °C. Typical thermal zero and span coefficients ±0.015 %FS / °C			
ATEX / IECEx Approval (4-20 mA version only):	Ex II 1 G Ex ia IIC T4 Ga (zone 0) Ex II 1 D Ex ia IIIC T135 °C Da (zone 20) Ex I M 1 Ex ia I Ma (group 1 M1)	n/a	n/a	n/a
ATEX / IECEx Safety Values:	U _i = 28 V I _i = 119 mA P _i = 0.65 W L _i = 0.1 µH C _i = 74 nF Temperature Range = -20 °C to +70 °C Max. cable length = 45 m	n/a	n/a	n/a
DNV GL Approval Class:	Temperature: D; Humidity: B; Vibration: B; EMC: B; Enclosure: C (contact sales for more information)			
Electromagnetic Capability:	Emissions: EN61000-6-3; Immunity: EN61000-6-2; Certification: CE Marked			
Insulation Resistance:	> 100 MΩ @ 50 VDC			
Response time 10-90 %:	1 ms			
Wetted Parts:	Titanium alloy (1/4" BSP male (G1/4) and 1/4" NPT male thread); other thread options typically Titanium alloy/316L stainless steel			
Pressure Media:	All fluids compatible with Titanium alloy (1/4" BSP male (G1/4) and 1/4" NPT male); other threads typically Titanium alloy/316L stainless steel			
Pressure Connection:	1/4" BSP male (G1/4); 1/4" NPT male; 1/4" BSP male (G1/2); 1/2" NPT male and 1/4" BSP female (others options available)			
Electrical Connection:	Mating socket EN175301-803 Form A (ex DIN43650) rated IP65 with PG9 cable entry (other options available)			



ORDER MATRIX

Output	Wires	Type	Electrical Connector	Pressure Range	Process Connection	Accuracy	Calibration					
4-20 mA	2	AGS4200										
10 mV/V	4	AGS4201										
0-5 V	4	AGS4202										
	3	AGS4212										
0-10 V	4	AGS4203										
	3	AGS4213										
Electrical Connection / Option												
DIN socket EN175301-803 Form A								D				
Cable outlet 1m screened			A									
M12 connector			B									
Cable outlet 1m screened IP67 protection			C									
ATEX / IECEx certified with DIN EN175301 plug and socket			EX									
Pressure Range in bar												
0-1 bar Vac				V001								
0-0.5 bar				00.5								
0-1 bar				0001								
0- 2.5 bar				02.5								
0-6 bar				0006								
0-10 bar				0010								
0- 16 bar				0016								
0-25 bar				0025								
0-100 bar				0100								
0-250 bar				0250								
0-400 bar				0400								
0-600 bar				0600								
0-1,000 bar				1000								
0-1,500 bar				1500								
Process Connection												
1/4" BSP male (G1/4)					AB							
1/2" BSP male (G1/2)					AC							
1/4" NPT male					AM							
1/2" NPT male					AN							
Accuracy												
NLHR ±0,1%						HA						
Calibration												
5-point calibration certificate							5P					
10-point calibration certificate							10P					

Order Number Example

For options not listed please contact sales team.

AGS4200 B1500 AB

The information provided herein is to the best of our knowledge true and accurate, it is provided for guidance only. All specifications are subject to change without prior notification.

Althen – Your expert partner in Sensors & Controls | althensensors.com

Althen stands for pioneering measurement and custom sensor solutions. In addition we offer services such as calibration, design & engineering, training and renting of measurement equipment.

Germany/Austria/Switzerland
info@althen.de

Benelux
sales@althen.nl

France
info@althensensors.fr

Sweden
info@althensensors.se

USA/Canada
info@althensensors.com

Other countries
info@althensensors.com