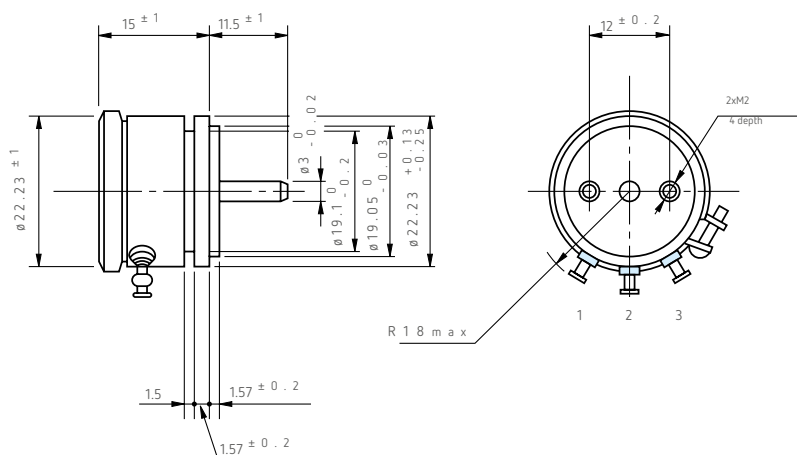




α FCP22A

Standard dimensions



Model FCP22A

General Specifications

Standard Resistance Values:	1k, 2k, 5k, 10 k (Ω)	Contact Resistance Variation:	Within 2% C.R.V.
Special Practical Resistance Values:	200, 500, 20k, 50k, 100k (Ω)	Power Rating:	1.0W
Total Resistance Tolerance:	Standard Class $\pm 10\%$ (K)	Electrical Travel:	$320^\circ \pm 5^\circ$
Independent Linearity Tolerance:	Standard Class $\pm 1.0\%$ Precision Class $\pm 0.5\%$ Super precision Class $\pm 0.25\%$	Mechanical Travel:	360° (Endless)
Resolution:	Essentially infinite	Insulation Resistance:	Over 1,000M Ω at 1,000 V.D.C
Output Smoothness:	Within 0.1% against input voltage	Dielectric Strength:	1 minute at 1,000 V.A.C.
		Starting Torque:	Within 1.5mN·m (15gf·cm)
		Resistance Temperature Coefficient:	$\pm 400 \text{ p.p.m.}/^\circ\text{C}$
		Mass:	Approx. 20g

Special Specifications Available

Extra taps (available up to 1 tap), multi-ganged (available up to 5 gangs, housing length is extended by 8.5mm per 1 gang), shaft with front and rear extension (rear shaft with 3mm dia. and 10mm length), with stopper (rotating angle becomes 320° and stopper strength is $0.3N \cdot m$ [$3 \text{kgf} \cdot \text{cm}$]), special electrical travel, shaft dia. ($\phi 3.175 \text{mm}$) with inch dimensions, special machining on the shaft.