



**mm** FDMK30 analog

**Description**

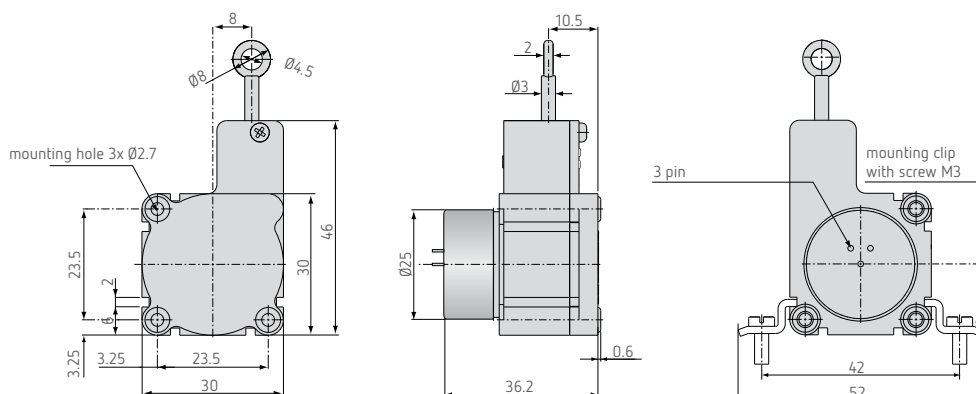
- Robust plastic housing
- Customized versions for OEM
- Conductive plastic/wire/hybrid potentiometer
- Smallest design in its class



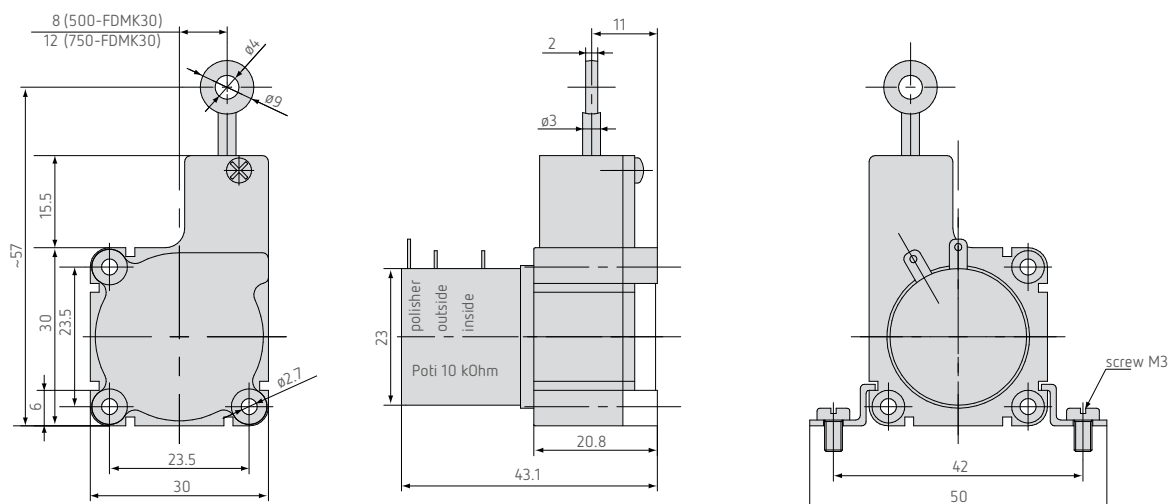
The miniature draw-wire sensors of the FDMK series are specially designed for use in high-volume production. Due to the favourable price and the compact size of the sensor, new potential designs and cost optimization are the benefits to the user.

**Outline drawing**

FDMK30-P (Measuring range 50mm)



FDMK30-P (Measuring range 150/250/500/750/1000/1250mm)



**Technical data**

Model	FDMK30-50	FDMK30-150	FDMK30-250	FDMK30-500	FDMK30-750		
Output	P						
Measuring range	50mm	150mm	250mm	500mm	750mm		
Linearity	conductive plastic pot. P50	±0.5% FSO	0.25mm	-	-	-	
	wire pot. P25	±0.25% FSO	-	-	0.625mm	1.25mm	1.87mm
	hybrid pot. P25	±0.25% FSO	-	0.375mm	-	-	-
	hybrid pot. P10	±0.1% FSO	-	-	0.25mm	0.5mm	0.75mm
Resolution	conductive plastic pot.			quasi infinite			
	wire pot.		-	0.1mm	0.1mm	0.15mm	0.2mm
	conductive plastic pot./hybrid pot.			quasi infinite			
Sensor element	conductive plastic/wire/hybrid potentiometer						
Temperature range	-20 ... +80°C						
Material	housing	plastic					
	draw wire	coated polyamid stainless steel (ø0.36mm)					
Wire mounting	eyelet						
Sensor mounting	mounting holes / mounting grooves						
Wire acceleration	appr. 5g						
Wire retraction force (min)	appr. 1N						
Wire extension force (max)	appr. 2.5N						
Protection class	IP 20						
Electrical connection	soldering tag						
Weight	appr. 45g						

FSO = Full Scale Output

**Technical data**

FDMK30 - 50 - P25

Output option:  
 potentiometer P50 (linearity ±0.5 % FSO)  
 potentiometer P25 (linearity ±0.25 % FSO)  
 potentiometer P10 (linearity ±0.1 % FSO)

Measuring range in mm

Model FDMK30

The information provided herein is to the best of our knowledge true and accurate, it is provided for guidance only. All specifications are subject to change without prior notification.

**Althen – Your expert partner in Sensors & Controls | [althensensors.com](http://althensensors.com)**

Althen stands for pioneering measurement and custom sensor solutions. In addition we offer services such as calibration, design & engineering, training and renting of measurement equipment.

Germany/Austria/Switzerland  
info@althen.de

Benelux  
sales@althen.nl

France  
info@althensensors.fr

Sweden  
info@althensensors.se

USA/Canada  
info@althensensors.com

Other countries  
info@althensensors.com