



IOLITE ACCESSORIES

IOLITE-Power-Injector, IOLITE-Repeater
IOLITEw Waterproof enclosure

Accessories for powering the IOLITE devices and building a large-scale measurement.

IOLITE-POWER-INJECTOR

IOLITE-Power-Injector is a passive PoE power injector. It merges a 12-48 V DC power source and the EtherCAT communication into a single CAT6 cable. The IOLITE devices require the POWER-INJECTOR as the first device in the chain. It also offers the first line of protection to the EtherCAT chain:

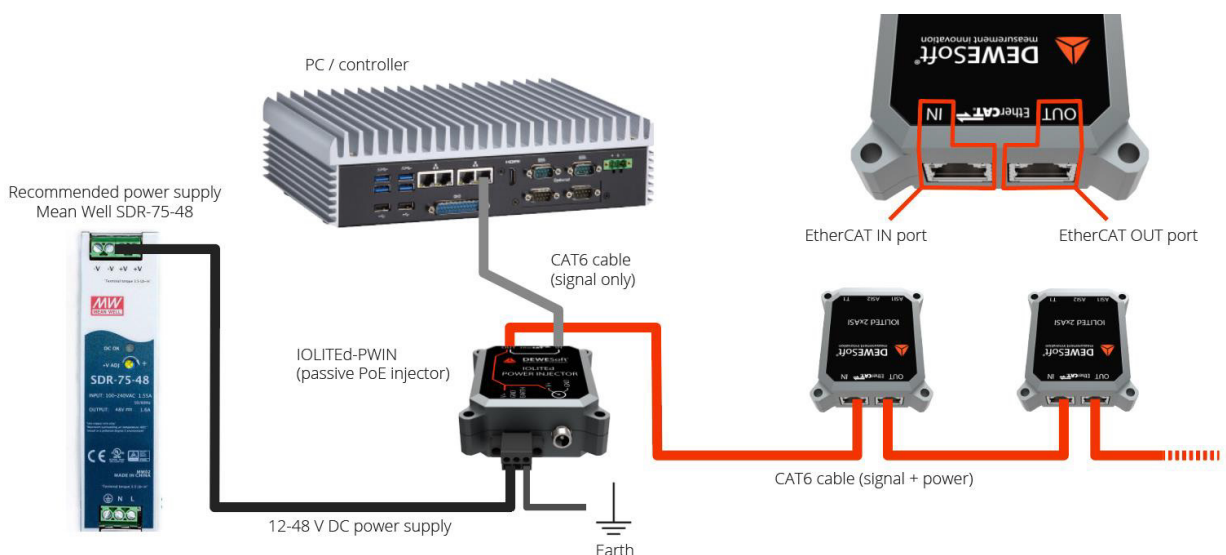
- Burst protection according to 61000-4-4
- Surge protection according to 61000-4-5



GENERAL SPECIFICATIONS OF THE IOLITE-POWER-INJECTOR DEVICE:

Digital interface	EtherCAT	Supply voltage	12-48 V
EtherCAT connectors	RJ45	Operating temperature	-20 ... 60 degC
Power connector	Wire terminal, 2mm jack	IP rating	IP20
Earth connector	Wire terminal	Weight	105 g
Wire terminal connector type	MC 1,5/3-STF-3.81	Housing material	Aluminium
Power consumption	<500 mW		

The schematic below shows the connection diagram of an EtherCAT chain of IOLITE devices.



IOLITE-REPEATER

IOLITE-Repeater is an EtherCAT repeater node. It is used to increase the cable length between two IOLITE measurement devices for a lower cost than adding an additional measurement device. The REPEATER fits perfectly into the EtherCAT chain, daisy chaining the signal and power from the previous to the next device.

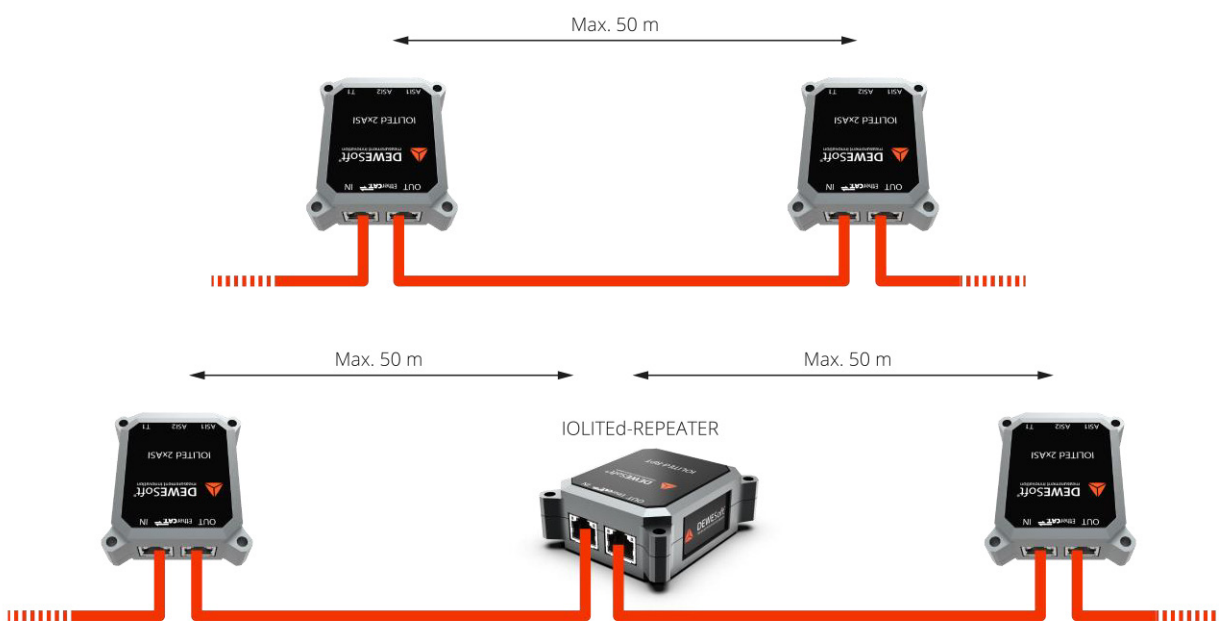


GENERAL SPECIFICATIONS OF THE IOLITE-REPEATER DEVICE:

Digital interface	EtherCAT
EtherCAT connectors	RJ45
Power consumption	1200 mW
Supply voltage	12-48 V
Operating temperature	-20 ... 60 degC
IP rating	IP20
Weight	105 g
Housing material	Aluminium

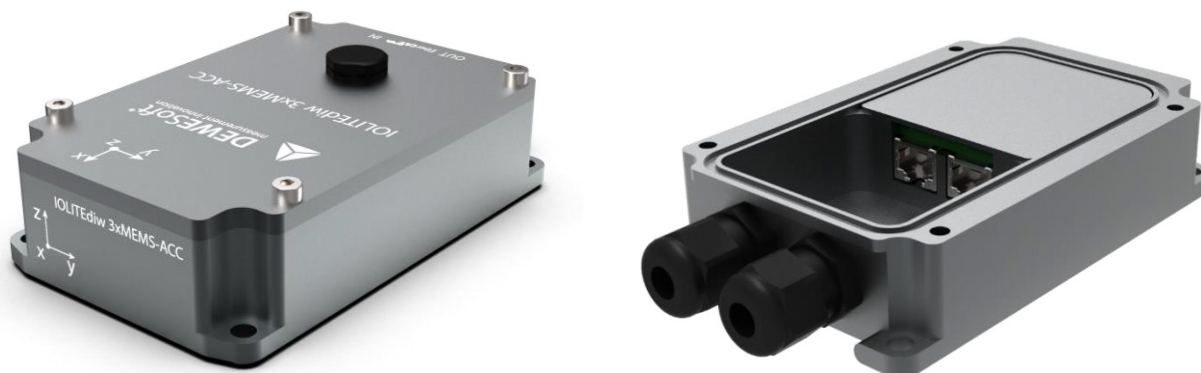


The schematic below shows the role of a IOLITE-Repeater in an EtherCAT chain.



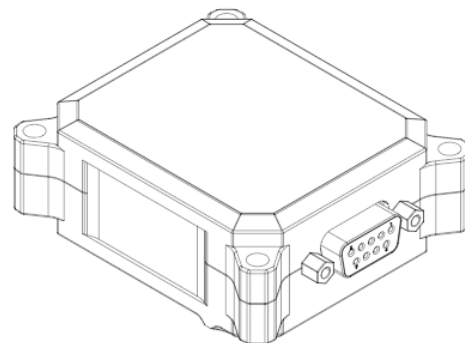
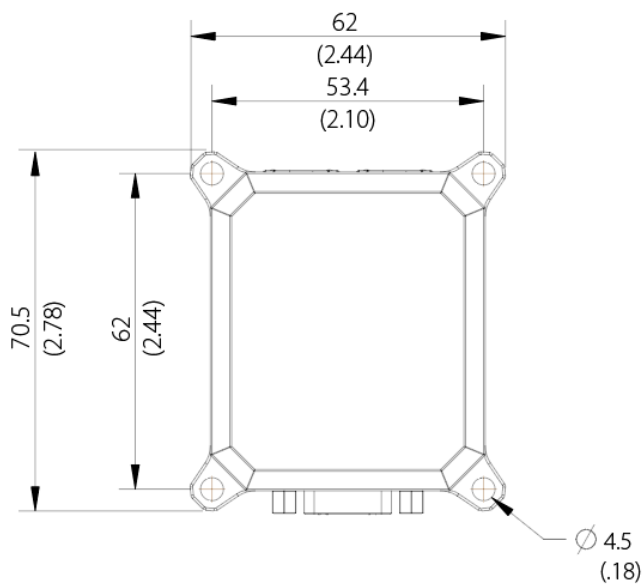
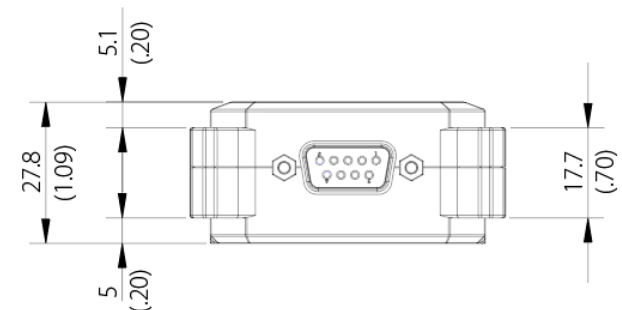
IOLITEW WATERPROOF ENCLOSURE

IOLITE devices can be supplied in a waterproof aluminium enclosure with cable glands. The enclosure is designed to be mounted outdoor. Cables are to be inserted through the cable glands at the installation location and crimped to the cable connectors inside the enclosure. The top lid is to be fixed to the enclosure using an O-ring seal and four bolts after the connectors are mated.



The outdoor enclosure automatically vents air to equalize pressure inside the enclosure to the outside air pressure while it does not allow water to pass into the enclosure. This prolongs the life span of the seal and increases durability of the enclosure.

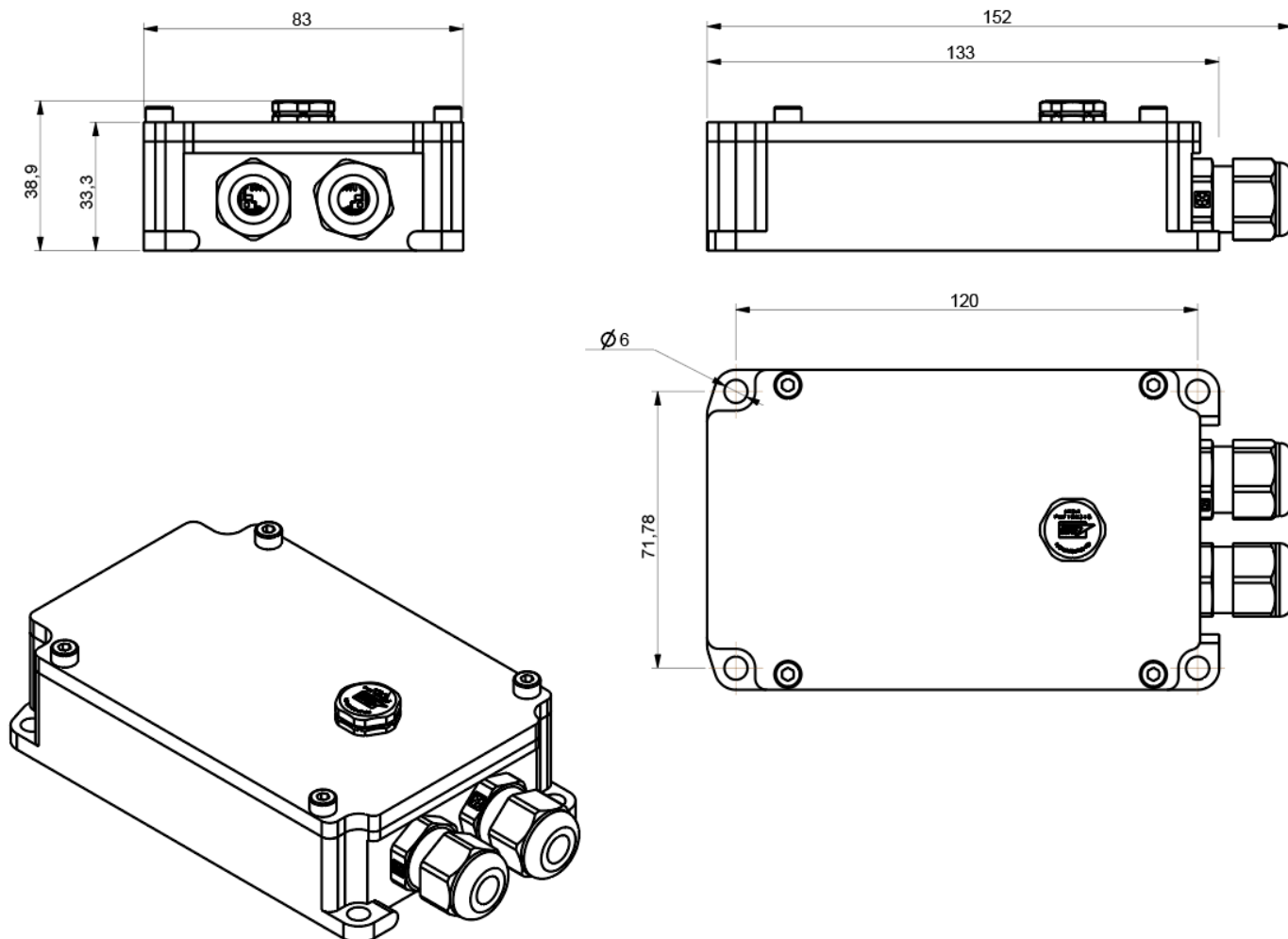
MECHANICAL DRAWING - IOLITE standard height housing



(Not to scale)

Preferred mounting: M4 screws in each of the four \ominus 4.5 mm corner holes.

MECHANICAL DRAWING - IOLITE waterproof housing



(Not to scale)